

SELECTION GUIDE

SMART HOME

Control your electric shutters and curtains, lighting, room temperature and electric locks.

YESLY BLISS?



ABOUT US



Finder was founded in Italy in 1954. Since then it has been designing and manufacturing a wide range of electromechanical and electronic components for both the residential and industrial sectors. Today, thanks to its global vision, Finder now distributes its products around the world through a network of 28 company-owned subsidiaries and more than 80 trade partnerships. Finder is an international family made up of more than 1300 individuals, all united by the same values and passion for our products.



14,500 different products to satisfy a myriad of applications. From products at the heart of automation to the control of machines, power, time, temperature, liquid level and light



OUR PRODUCTS CARRY MORE CERTIFICATIONS THAN ANY OTHER RELAY MANUFACTURER

FINDER IS AN ITALIAN BRAND WITH A WORLDWIDE PRESENCE

- 4** PRODUCTION PLANTS IN EUROPE
- 29** SUBSIDIARIES
- +80** OFFICIAL DISTRIBUTORS



ENVIRONMENTAL, SOCIAL AND GOVERNANCE (ESG)

Finder considers social and environmental sustainability as fundamental principles of doing business, just as it believes that business growth must develop in synergy with a conscious vision of the future. That is why Finder is committed to reducing and eliminating CO2 emissions, focusing on circularity, caring for its employees to foster a safe, fair and inclusive work environment, spreading a culture of integrity and transparency, and collaborating with stakeholders who share its values.

AUTONOMY AND INDEPENDENCE

Finder's managerial, financial and technological autonomy allows optimal control over all its business processes, the results of which include simplified customs procedures and a high reliability of commercial relations.

This focus is demonstrated by the company's commitment to the following internationally recognized projects and certifications:



ISO 9001:2015
Quality management system



ISO 14001:2015
Environmental management system



ISO 45001:2018
Health and safety management system



ISO 14064-1 2018
Carbon Footprint verification



FSC
Forest Stewardship Council



AEOF
Simplified customs and enhanced supply chain security



Cribis Prime Company
Recognition of highest reliability of commercial relations



THE HOME BECOMES SMART

Homes must evolve to meet the needs of those who live in them, and home owners are seeking more and more solutions to improve the comfort, safety and performance of their homes. You can satisfy your customers' requirements by choosing FINDER solutions for an easy-to-use smart home, simple and always connected.



WHY CHOOSE FINDER?

For over 65 years FINDER has been working alongside installers to develop electrical systems, designed and made in Italy, using unique, reliable and safe devices such as the modern step relay, time switches or light-dependent relays. Today, in addition to traditional devices you can now choose Finder quality along with its innovative YESLY and BLISS smart home products.

YESLY devices have now obtained IMQ certification – ensuring compliance with the agency's safety and reliability standards.



ADVANTAGES FOR YOU



You will not have to change your habits. Finder's smart products are installed using traditional relay logic, but with a fast, guided set-up via an App.



You will increase the value of your work. Surprise your customers with simple, innovative solutions, meet their requirements and keep up with the times.



No installation work required. YESLY and BLISS enable you to update a traditional system without needing to pass cables through walls. They are ideal both for renovations and for enhancing existing systems.



Offer Italian quality. Finder products are designed and manufactured in Italy. They guarantee maximum safety and reliability - also with regard to the privacy of your data.

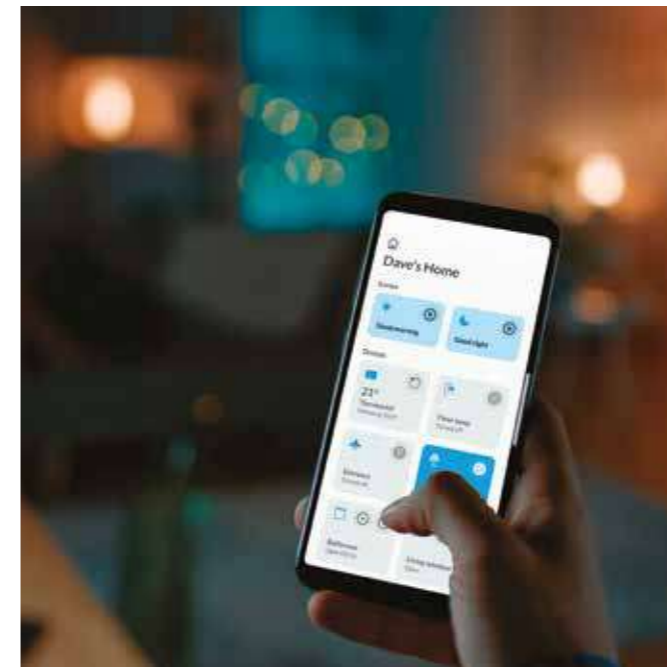
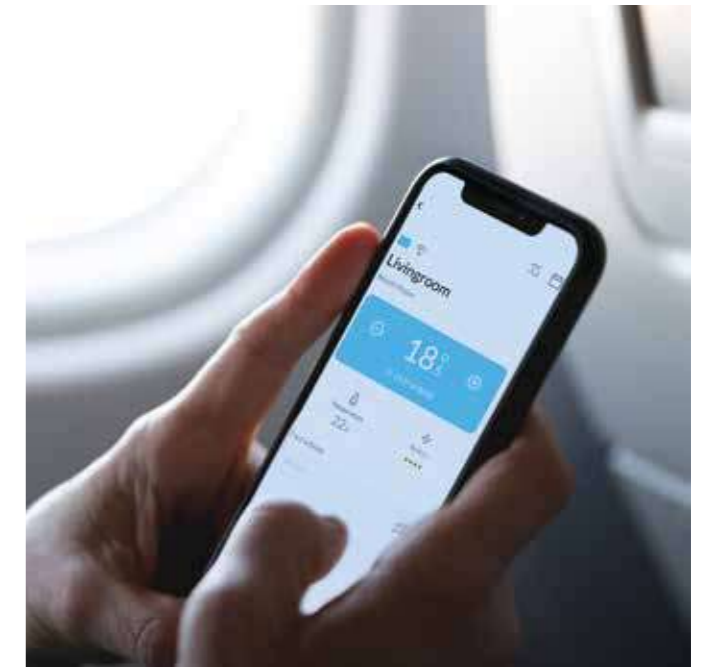


ADVANTAGES FOR YOUR CUSTOMERS

Finder products work inside your system. They're invisible but smart. Customers can manage the various operations as easily as with a traditional system, but with the advantages of a smart system connected to the network.

Centralised control for a personalised scenario when you enter or leave the house.

You can operate it using your smartphone, even at a distance and you can use the App to monitor your consumption.



Add wireless buttons or scenarios without building work for the optimum comfort of your customer. With wireless buttons and scenarios you can control one or more devices.

You can use your smartphone or your voice to operate lights, shutters, electric curtains either via the App or via your preferred Google Assistant or Amazon Alexa voice assistant.

FINDER YOU

Makes everything easier

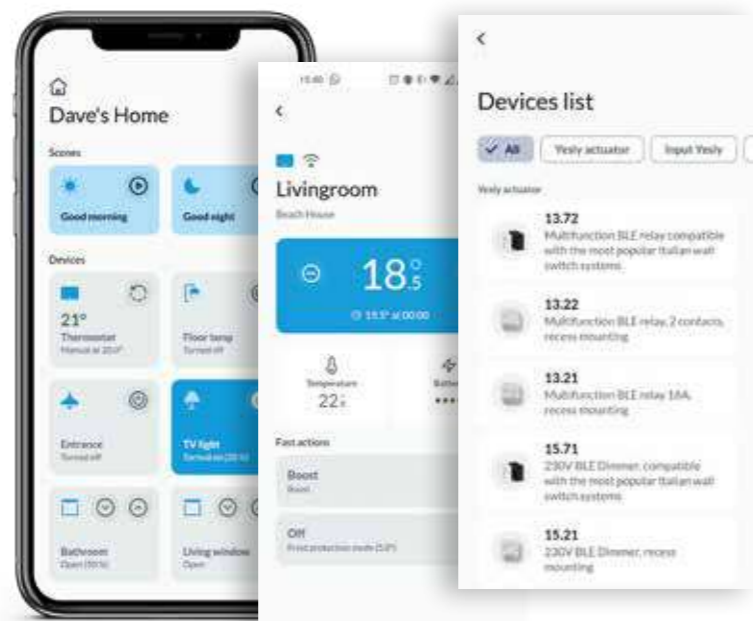
The free Finder You app lets you configure the Finder YESLY comfort living system so you can manage your lights, your electric curtains and shutters, and your BLISS smart thermostat, even when you're away from home.

Configuration using the Finder You app:

- program YESLY devices
- Quickly set the functions
- Associate wireless pushbuttons, interface inputs and create personalized scenarios
- Associate and configure thermostats



Finder You



WORKS WITH IFTTT

YESLY is compatible with IFTTT services, a platform that lets you create automated actions based on events generated in the electrical system or by external services and connected thirdparty devices.

YESLY + BLISS – the perfect match

Two systems that work together to deliver perfect comfort

The YESLY and BLISS systems can now be installed, configured and managed using the same app, making it easier than ever to enhance your comfort.

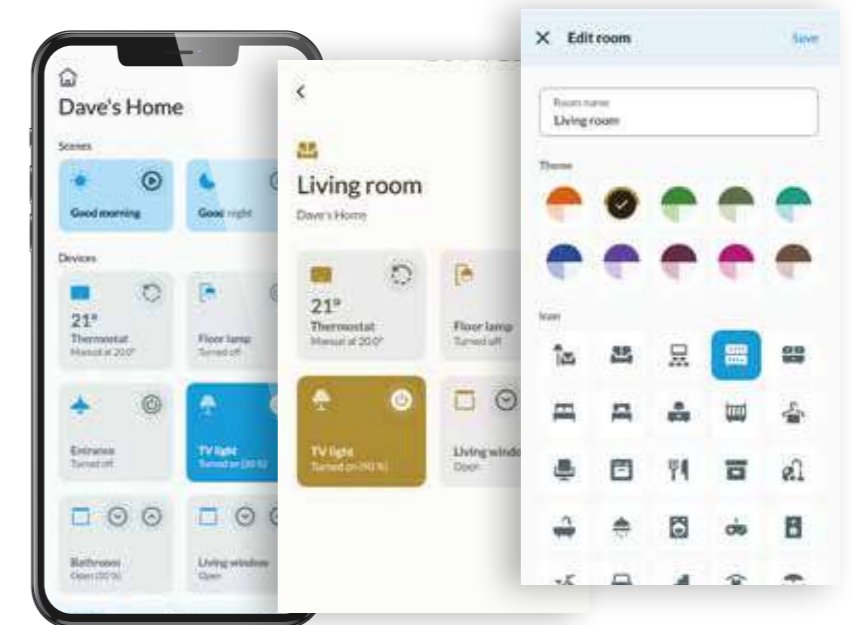
What can you use it for?:

- View and modify the status of your lights, electric curtains and ambient temperature
- Program your BLISS smart thermostats simply and intuitively check your heating system's consumption
- Share the management of a single thermostat, a room or your entire heating system with other people, with the option of granting temporary access and permissions

Control lights, electric curtains and power shutters



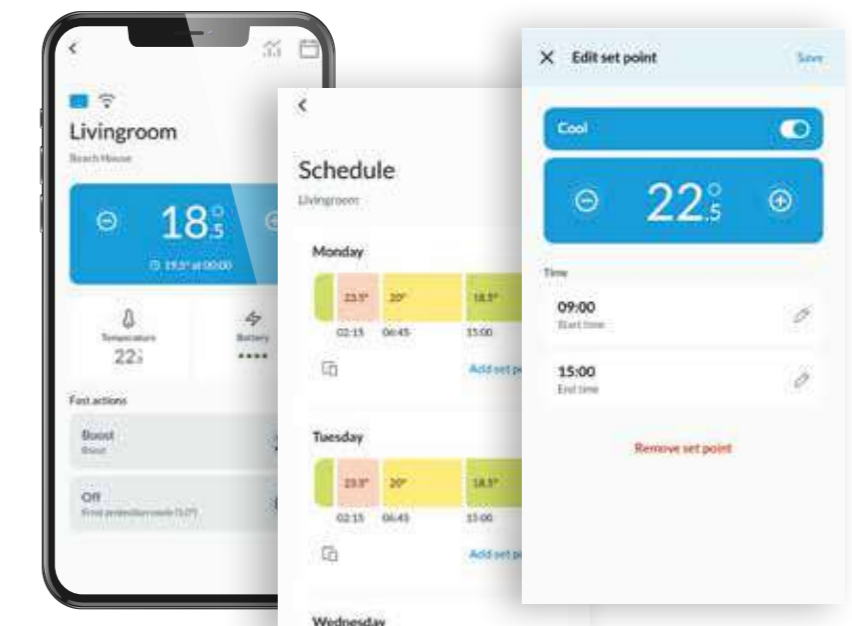
Finder You



Control the ambient temperature



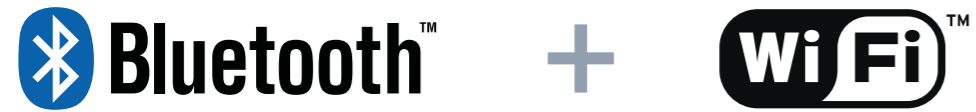
Finder You



BLUETOOTH + Wi-Fi

Two different technologies, giving you maximum flexibility

And if you have no Wi-Fi? No problem, you can use BLUETOOTH technology. The system can also be used if you don't have internet connection, via an App.



- service is always reliable - even if you lose the internet
- Finder's protocol assures your data security

- you can operate and control your YESLY and BLISS devices remotely or via the Google or Amazon voice assistants
- enhance your system's performance
- if you don't have internet connection the system will continue to operate thanks to Bluetooth



ELECTRIC LOCK CONTROL

YESLY can help you convert the electric lock in your house door or in the gate into a smart lock! All electric locks can be controlled via App, including remotely with GATEWAY, or with voice assistants.



MANAGEMENT OF REMOTE-CONTROLLED SOCKETS

With controlled sockets, remotely operate lighting appliances or other electrical devices via the App or by voice commands. This application is perfect for remotely controlling floor lamps or for switching on or off electric radiators, such as towel rails.



SIMPLE SOLUTIONS FOR EVERY ROOM

Control shutters or electric blinds remotely

You can raise or lower the shutters in your home by pressing a button on your smartphone or via your Google Assistant or Amazon Alexa voice assistant.



Switch on, adjust or create scenarios, including LED strip lighting

Thanks to the PWM dimmer specific to YESLY you can also dim LED strips and link Finder devices to create your chosen scenarios.



Add a wireless button where needed

Is the button in a place that's not convenient? You can add a wireless button using a connected relay or operate controls from your smartphone for ultimate customer convenience.



Set the temperature and monitor consumption

Monitor and set the temperature in your home easily and conveniently, using your smartphone with BLISS thermostats. You can keep your energy consumption under control wherever you are.



YESLY

TIME FOR
COMFORT
LIVING



A new way to enjoy living in your home.
Discover all the features of YESLY



YESLY is the innovative smart home system for lights and electrical shutters that enables you to enjoy living comfortably in your home.



Versatility and scalability. Install YESLY all over your home or in just one room, add devices and modify programmes at any time.



Make your home smart in just a few quick and easy steps! Switch on, switch off and manage one or more lights, raise the shutters and create personalised SCENARIOS.



The system is 100% MADE IN ITALY. YESLY is the result of over 60 years' of total-in-house design and manufacture of relays.



YESLY is extremely reliable, particularly in relation to data security.



The YESLY system devices communicate with each other via **Bluetooth Low Energy** which is encrypted using 128 bit.



YESLY does not require major refurbishment work. You can create and modify the electrical system without having to do any rewiring work.



Control lights and shutters remotely using a centralised system even when you are not at home, thanks to Gateway.



Operate lights and shutters with **Google Assistant or Amazon Alexa voice assistants.**

BLISS2

YOUR HOME YOUR CLIMATE



Much more than just a new connected thermostat.
A new solution for smart home temperature regulation



A true designer object by Fossati/Minelli, our thermostat is elegant and minimal to fit to the customer's style.



Low energy consumption levels contribute to longer battery life (approx. 1.5 years).



Save energy with the Autoway function and check your energy consumption thanks to personalised reports.



Bright and glossy touchscreen which makes the interface both easy to operate and intuitive.



Cold? Hot? Use the JUMP function to control the device directly.



Android and iOS Apps with an easy and intuitive design so you can programme weekly.



Engineered, designed and manufactured in Italy for a product that is wholly MADE IN ITALY.



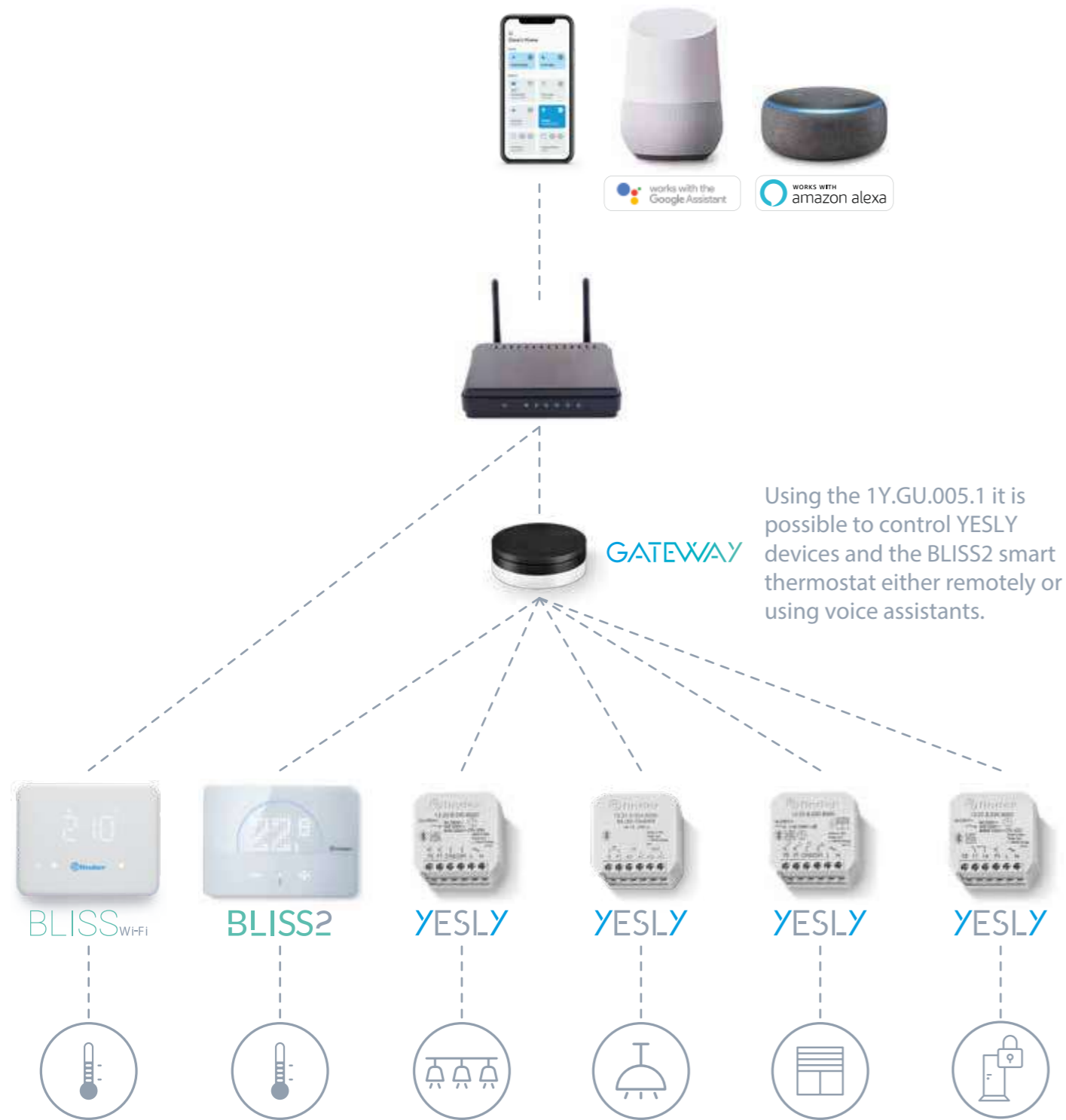
Ideal for mounting over a Ø 60-mm box or 3-module wall-box for a really quick installation.



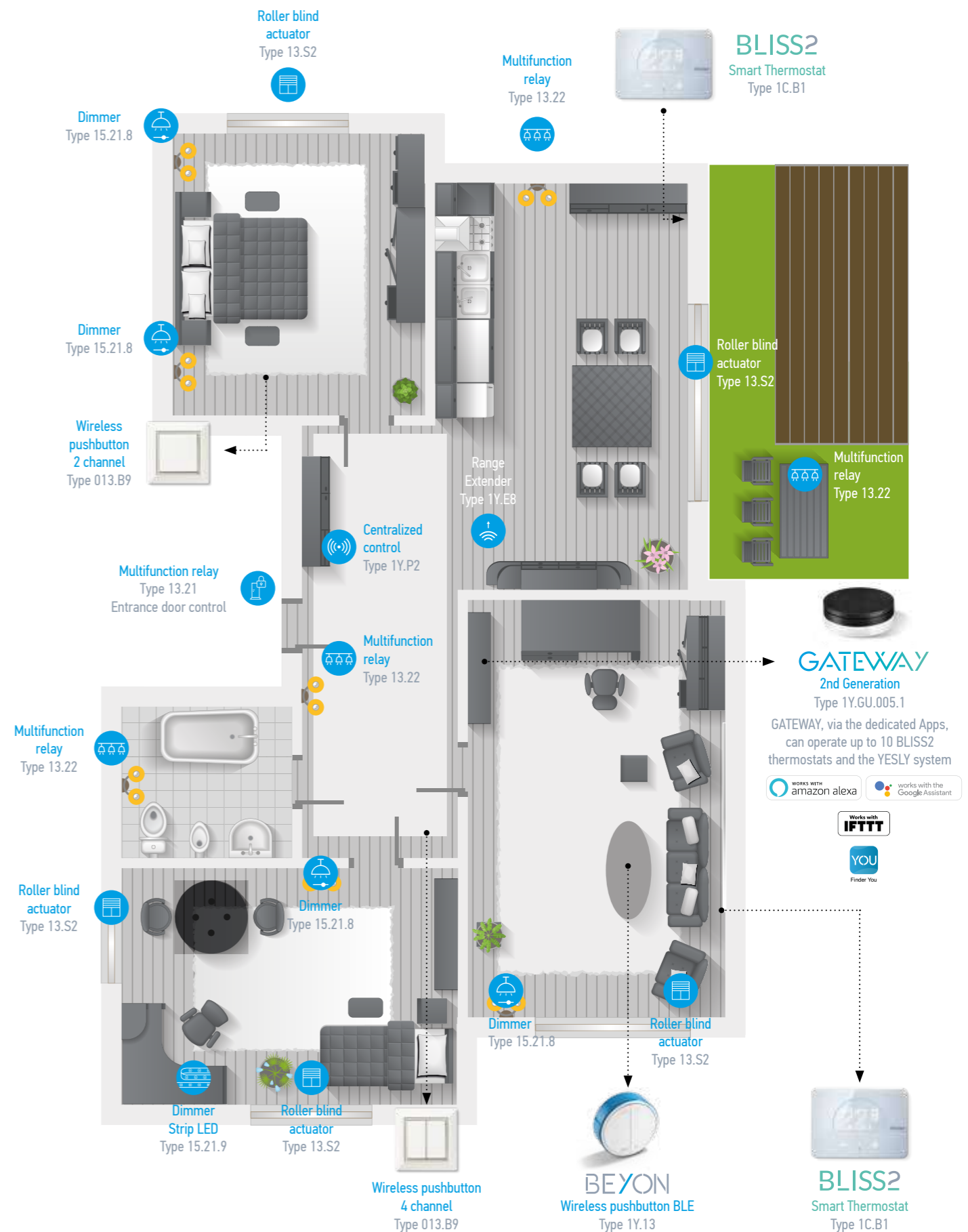
Integrated with voice assistants Google Assistant and Amazon Alexa, our thermostat can also be integrated with YESLY, Finder smart home system, through routines.

EASY TO INSTALL AND TO PROGRAMME

With Finder's YESLY and BLISS systems, installation and programming is quick, easy and supported. You can programme your devices to control your central heating or you can add the gateway to control the device remotely or via voice assistants. The choice is yours.



DISCOVER ALL THE YESLY AND BLISS2 FUNCTIONALITY



CHOOSE THE COMBINATION THAT WORKS BEST FOR YOU WITH THE SCALEABLE YESLY SYSTEM

INSTALL

Multifunction relay



Actuator for electric roller blinds and shutters



Dimmer



Input YESLY interface unit



Range extender

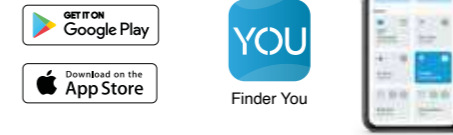


Smart Thermostat



CONTROL

Smartphone applications



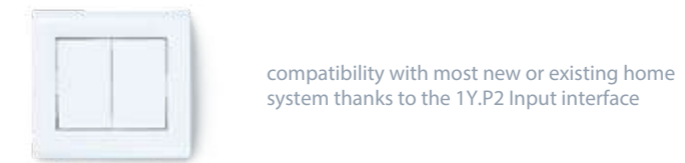
GATEWAY



Wireless pushbuttons



Wired pushbuttons



OPERATE

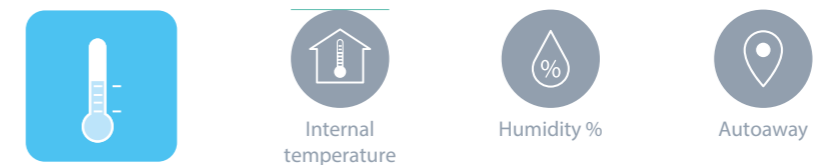
LIGHTING



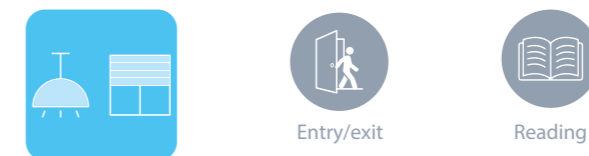
ELECTRIC ROLLER BLINDS/CURTAINS



TEMPERATURE



PERSONALISED SCENARIOS

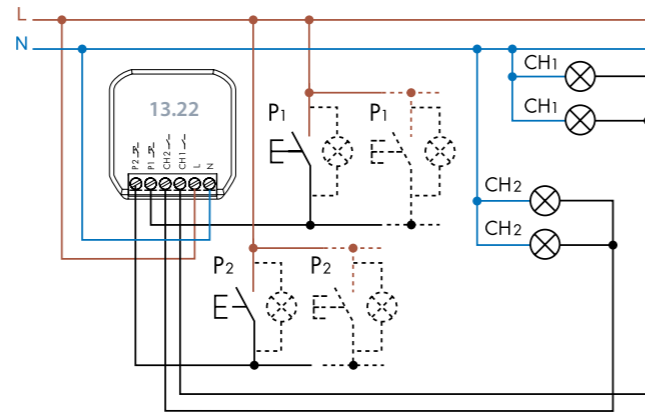
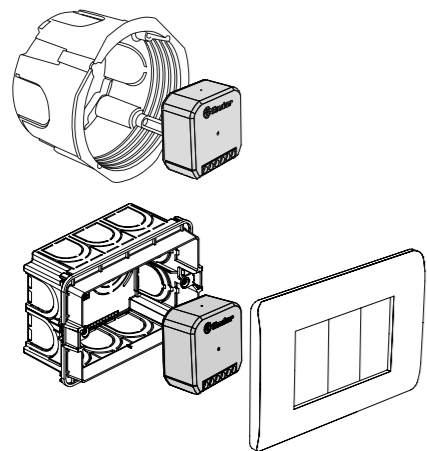


YESLY 13 SERIES - Multifunction relay with Bluetooth

Type 13.22 - Multifunction Bluetooth relay, 2 x 6 A contacts, recess mounting



Type 13.22.8.230.B000
2 outputs with NO contacts rated 6 A - 30 V AC
2 independent and programmable channels
21 available functions (see Table 1)
Default function (both channels): RI – Step relay (pushbutton control)
Special function: R1a – step relay (switch-operated) ideal for converting an existing traditional system with one, two or four way switches into a smart system
Lamp load: 200 W 230 V AC
2 inputs for wired pushbuttons (one input per channel)
Management of up to 8 scenarios
Supply voltage 110...230 V AC (50/60Hz)

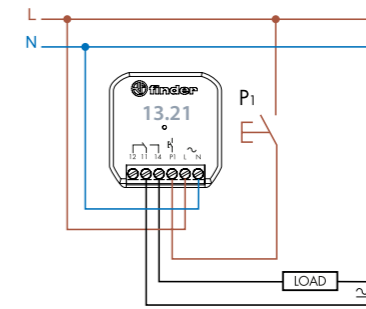
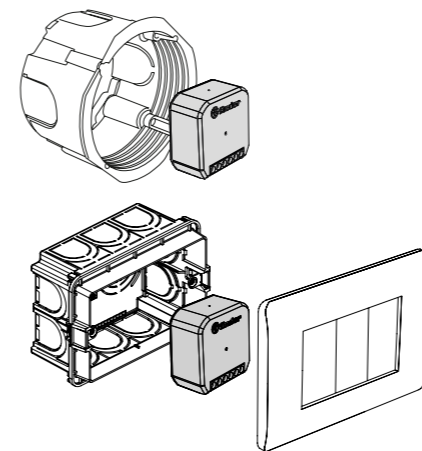


YESLY 13 SERIES - Multifunction relay with Bluetooth

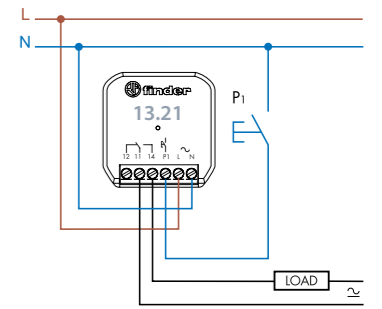
Type 13.21 - Multifunction Bluetooth relay, 1 x 16 A contacts, recess mounting



Type 13.21.8.230.B000
1 output with CO contact 16 A - 250 V AC
12 available functions (see Table 1)
Default function (both channels): RI – Step relay (pushbutton control)
Special function: R1a – step relay (switch-operated) ideal for converting an existing traditional system with one, two or four way switches into a smart system
Lamp load: 200 W 230 V AC
1 input for wired pushbuttons
Management of up to 8 scenarios
Supply voltage 110...230 V AC (50/60Hz)



Wiring with pushbutton to phase



Wiring with pushbutton to neutral

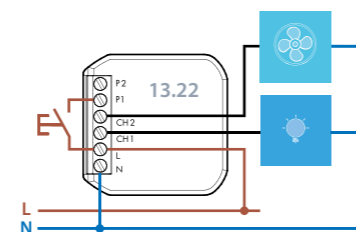
Examples of applications

Special function R1a - Step relay (switch control). Ideal for converting an existing traditional system with one, two or four way switches into a smart system. With this solution any system can be modified without having to replace the existing controls.

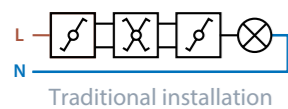
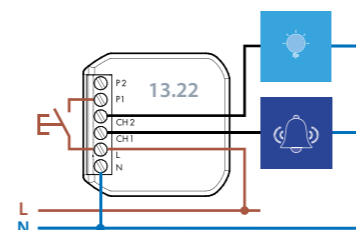
It can be operated by wireless buttons, smartphones and Gateway



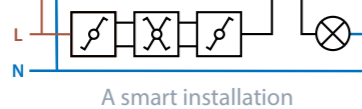
Function VB - Bathroom light + fan



Function CP - Doorbell + Lights



Traditional installation

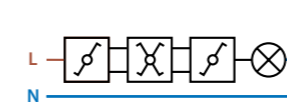


A smart installation

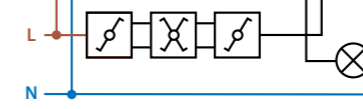
Examples of applications

Special function R1a - Step relay (switch control). Ideal for converting an existing traditional system with one, two or four way switches into a smart system. With this solution any system can be modified without having to replace the existing controls.

It can be operated by wireless buttons, smartphones and Gateway



Traditional installation



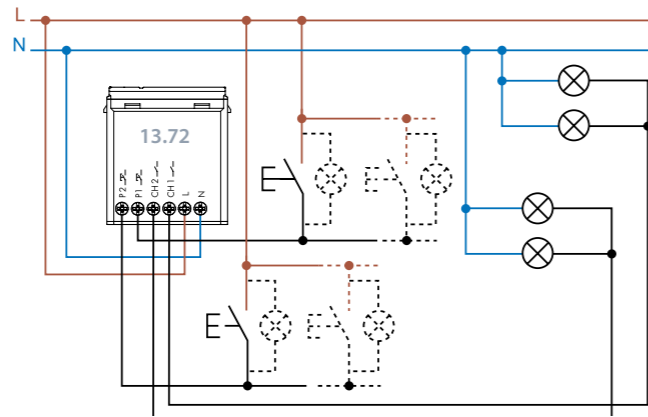
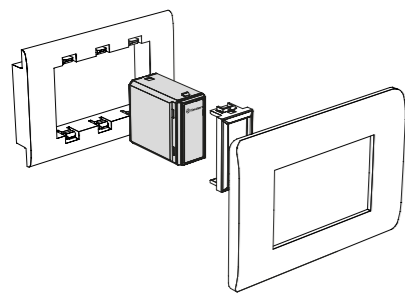
A smart installation

YESLY 13 SERIES - Multifunction relay with Bluetooth

Type 13.72 - Multifunction Bluetooth relay compatible with the most popular Italian wall switch systems



- Type 13.72.8.230.B000 - white
- Type 13.72.8.230.B002 - anthracite
- 2 independent and programmable channels
- 2 outputs with NO contacts rated 6 A - 230 V AC
- 21 available functions (see Table 1)
- Default function (both channels): RI - Step relay (pushbutton control)
- TP function - shutter control
- Lamp load: 200 W 230 V AC
- 2 inputs for wired pushbuttons (one input per channel)
- Management of up to 8 scenarios
- Supply voltage 110...230 V AC (50/60Hz)



Step sequence
P1 (SET): press to advance through the sequence

P2 (RESET): press to return to Step 1

Type	Functions	Sequences			
		1	2	3	4
13.22 13.72	02	⏏	⏏		
	03	⏏	⏏		
	04	⏏	⏏	⏏	⏏
	05	⏏	⏏	⏏	⏏
	06	⏏	⏏	⏏	
	07	⏏	⏏	⏏	
	08	⏏	⏏	⏏	

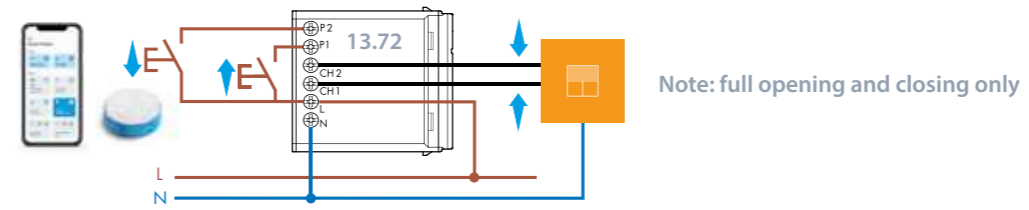
Table 1 - Selectable functions

13.21-B000	(RM)	Monostable
13.22	(RI)	Step relay (pushbutton control)
13.72	(RIa)	Step relay - lighting switch control (Type 13.22 and 13.21.8.230.B000 only)
	(LE)	Asymmetric flasher (starting pulse on) with control signal
	(DE)	Interval with control signal on
	(BE)	Staircase timer
	(ME)	Staircase timer + Staircase maintenance
	(BP)	Staircase timer with switch off early warning
	(MP)	Staircase timer with switch off early warning + staircase maintenance
	(IT)	Timing step relay
	(IP)	Timing step relay with switch off early warning
	(FZ)	Timing monostable
13.22	(VB)	Bathroom light + fan
13.72	(CP)	Ringbell + light
13.S2 - 13.72	(TP)	Roller shutter
		7 step relay sequences (see table)

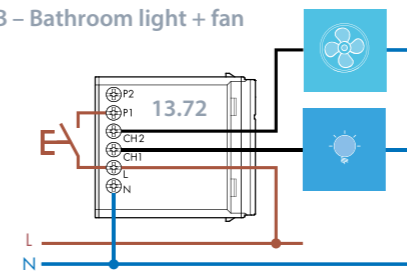
Examples of applications

Function TP - Roller Blinds, Shutters and Curtains

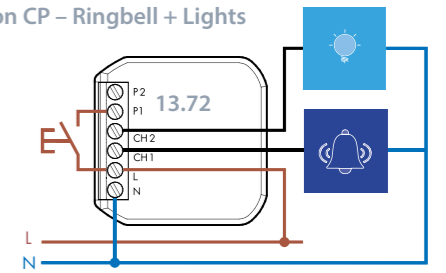
Ch1-P1: up
Ch2-P2: down



Function VB - Bathroom light + fan



Function CP - Ringbell + Lights

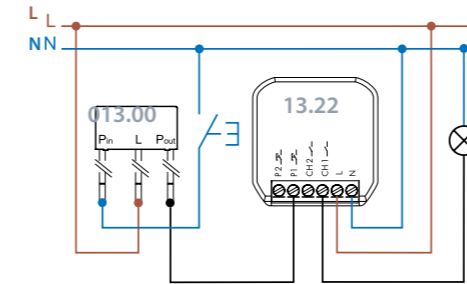


Accessory - Type 013.00 - Pushbutton phase/neutral converter

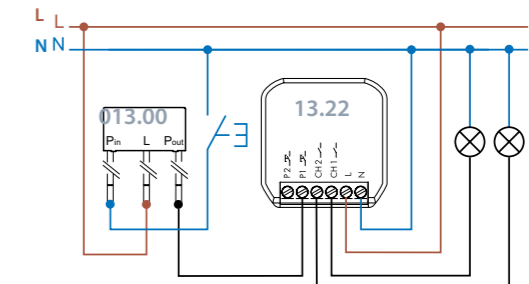


Use this module 013.00 with a pre-existing neutral wired pushbutton when retro fitting a device designed only for phase connected pushbuttons.

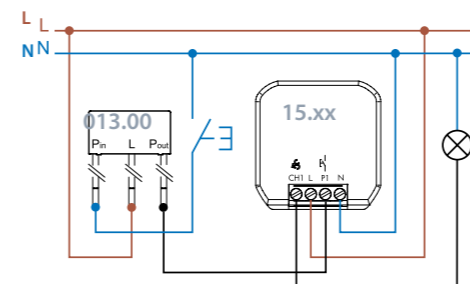
Existing systems with pushbuttons to neutral can be updated to new generation relays or dimmers by simply using the Type 013.00 converter with the existing pushbuttons.



Type 13.22 - Single channel



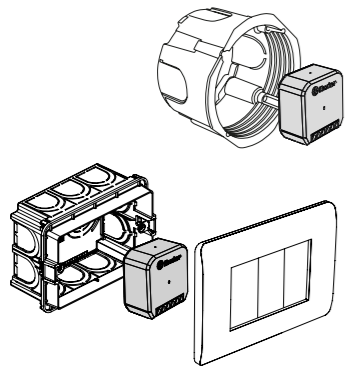
Type 13.22 - Step sequencing



15 Series



YESLY 15 SERIES - Bluetooth Dimmer

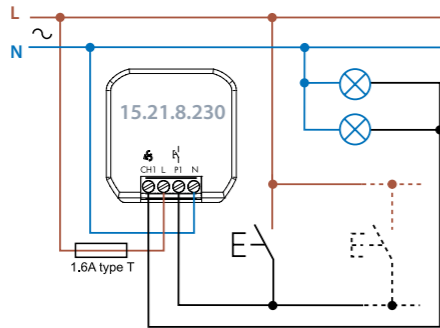


- 1 output
- 1 wired pushbutton input
- Can be managed through standard wired pushbuttons, wireless pushbuttons or Smartphone
- Management of up to 8 scenarios
- Recess mounting (e.g. Ø 60-mm box or 3-module box)

Type 15.21.8.230.B300 - Universal Bluetooth Dimmer 230 V AC via Phase Control



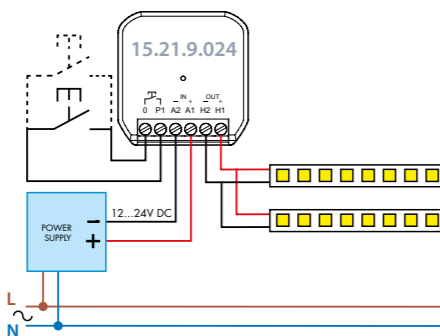
- Lamp load: 150 W LED, 300 W halogen
- 7 functions to manually set the lamp driving method and the control curve
- AUTO function, to automatically set the most appropriate method for driving the type of lamp being used
- Phase control method - Leading Edge or Trailing Edge
- Default function: Trailing edge (linear)
- Compatible with energy-saving lamps, compact dimmable fluorescent lamps (CFL) or dimmable LEDs - with either electronic or electromagnetic transformers
- Over-temperature and short-circuit protection
- Supply voltage 230 V AC (50/60Hz)



Type 15.21.9.024.B200 - Bluetooth Dimmer PWM for LED strips 12...24 V DC



- Maximum load 8 A (96 W at 12 V DC, 192 W at 24 V DC)
- PWM technology
- Compatible with LED strips (12...24 V DC)
- Over-temperature, short-circuit and polarity reversal protection
- Supply voltage 12...24 V DC



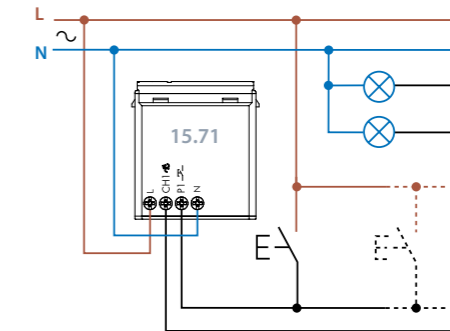
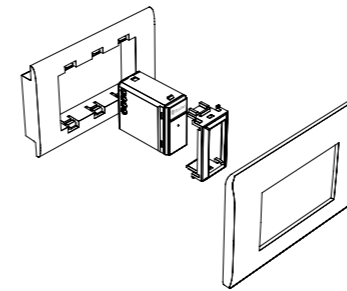
YESLY 15 SERIES - Bluetooth Dimmer

Type 15.71

Bluetooth Dimmer 230 V AC via Phase Control, compatible with the most popular Italian wall switch systems



- Type 15.71.8.230.B200 - white
- Type 15.71.8.230.B202 - anthracite
- 1 output
- Lamp load: 100 W LED, 200 W halogen
- 7 functions to manually set the lamp driving method and the control curve
- AUTO function, to automatically set the most appropriate method for driving the type of lamp being used
- Phase control method - Leading Edge or Trailing Edge
- 1 wired pushbutton input
- Compatible with energy-saving lamps, compact dimmable fluorescent lamps (CFL) or dimmable LEDs - with either electronic or electromagnetic transformers
- Management of up to 8 scenarios
- Over-temperature and short-circuit protection
- Supply voltage 230 V AC (50/60Hz)

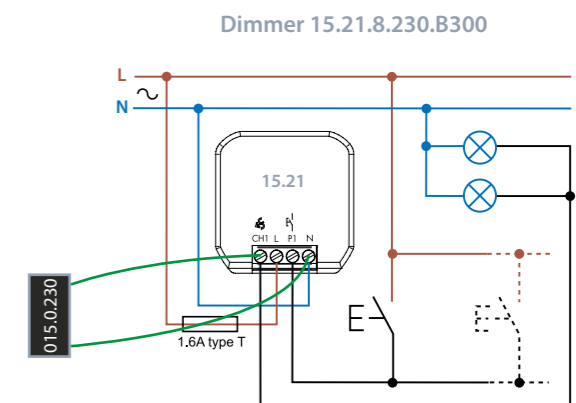
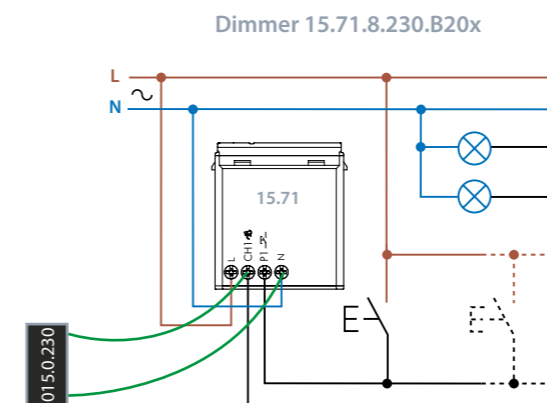


Accessory - Type 015.0.230 - Leakage current suppression module



On the market you can find 230 V AC lights which, even when the dimmer is in the OFF position, are still faintly lit.

To get around this problem, you can install the residual current bypass module. The installation of the 015.0.230 module, recommended for use with all the 230 V AC phase-cut dimmers, ensures the lamp is completely turned off.

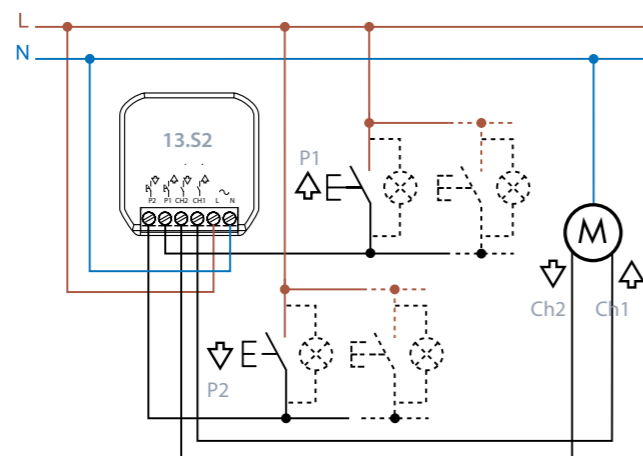
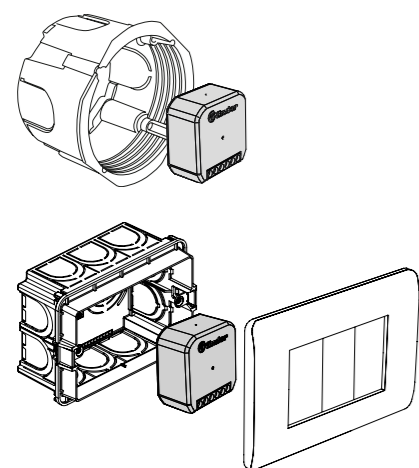


YESLY 13 SERIES - Electric roller blind actuator

Type 13.S2 - Actuator with Bluetooth suitable for electric roller blinds and shutters



Type 13.S2.8.230.B000
Suitable for operating shutters and adjusting how far they open
2 outputs with NO contacts rated 6 A - 230 V AC
Motor load: 200 W 230 V AC
2 inputs for wired pushbuttons (one input per channel)
Management of up to 8 scenarios
Supply voltage 110...230 V AC (50/60Hz)
Recess mounting (e.g. Ø 60-mm box or 3-module box)



Example: 20% open



Adjusting how far the blind is opened using the App, voice assistants or scenarios

Ch1-P1: up
Ch2-P2: down

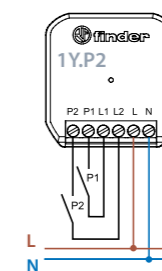
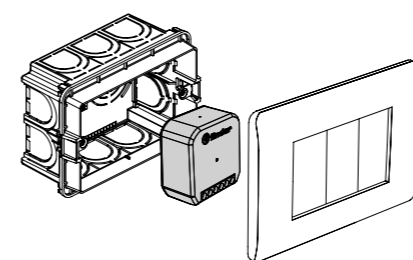
YESLY - ACCESSORIES - Wireless pushbuttons

Type 1Y.P2 - Interface unit



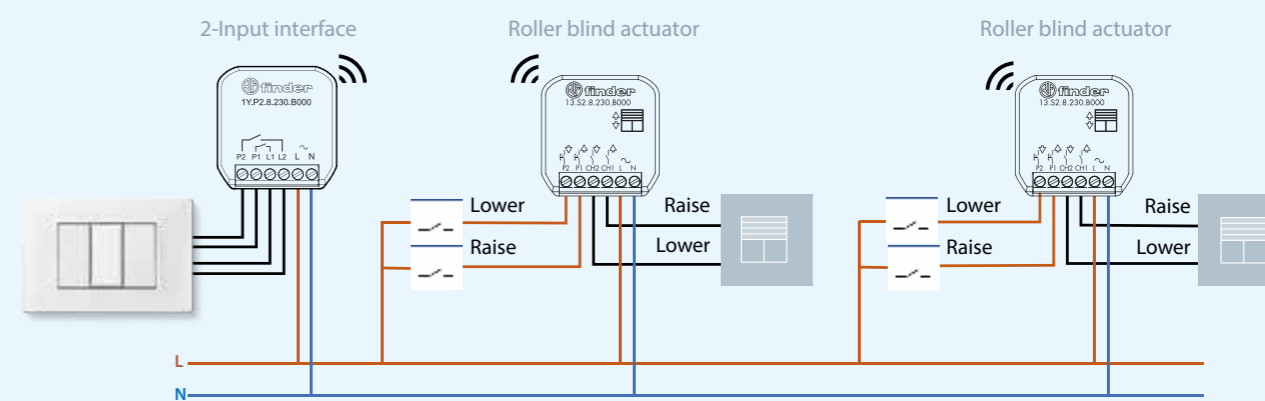
The 2-input 1Y.P2 interface has been developed to accept volt-free contacts or phase voltage (L) signals as inputs, and to integrate them into a YESLY system. Conversely, using the 1Y.P2 interface it is possible to integrate YESLY devices into an existing home system utilising the existing traditional pushbuttons or switches - adding the more complex features of YESLEY's devices to an existing home system.

Type 1Y.P2.8.230.B000
2 input channels (P1 and P2)
Suitable for controlling YESLY devices with traditional pushbuttons or switches, for example by integrating into an existing residential lighting system
Compatible with illuminated pushbuttons (max 5 buttons)
Supply voltage 110...230 V AC
Transmission range: 10 meters in free space and without obstacles



Examples of applications

Wiring diagram for the control of rolling shutters with centralized control via 1Y.P2 interface



 YESLY - ACCESSORIES - Range extender

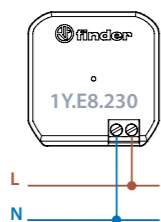
The range extender increases the transmission range of YESLY devices ensuring that all the devices installed properly interconnect.

Up to 4 devices can be used in the same system.
The range extender is a plug-n-play device, **it does not need configuring.**

Type 1Y.E8.230 - Range extender, recess mounting



Type 1Y.E8.230
Power supply 230 V AC
Operating frequency 2.4 GHz
Ø 60mm box or junction box mounting
Transmission range: approximately 10 m in free space and without obstacles. The transmission range may vary depending on the building structure

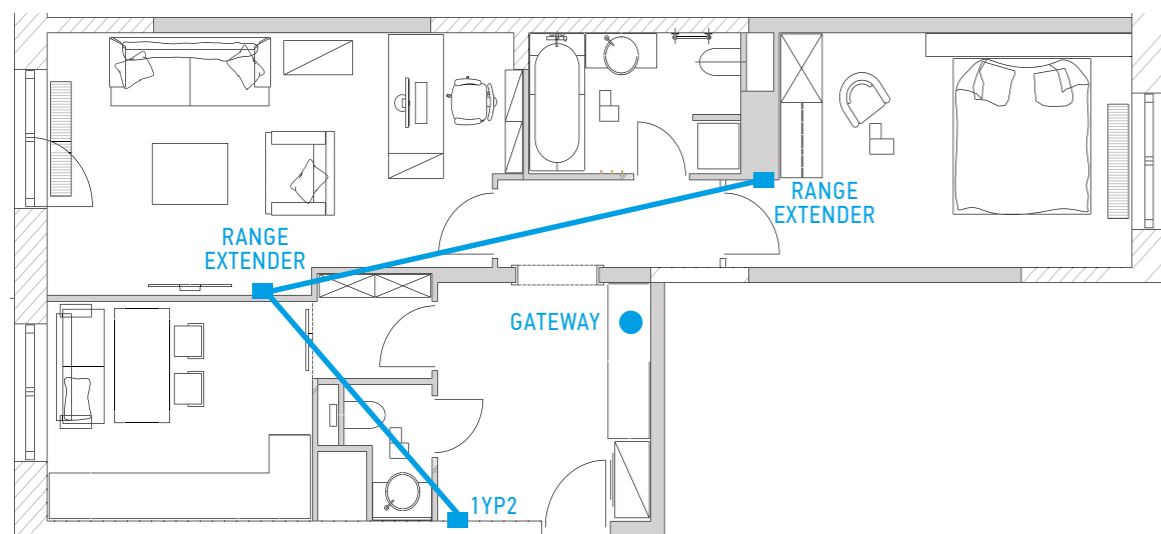


Type 1Y.EU.005 - USB input range extender



Type 1Y.EU.005
Power supply: USB plug 5V – 0.5 A minimum
Operating frequency 2.4 GHz
Transmission range: approximately 10 m in free space and without obstacles. The transmission range may vary depending on the building structure

EXAMPLE OF INSTALLATION WITH 2 RANGE EXTENDERS



 YESLY - ACCESSORIES

YESLY GATEWAY - Control your devices with just your voice

GATEWAY



Type 1Y.GU.005.1

The second-generation Type 1Y.GU.005.1 GATEWAY is a device which works in synergy both with smart BLISS2, and with the YESLY comfort living system. This is a device which is small, elegantly designed and extremely easy-to-install.

By installing GATEWAY and related products for adjusting the temperature and for managing your smart home, it will be possible to control the temperature of your home, the switching on of lights, the movement of shutters and the configuration of personalised scenarios through your Wi-Fi, using the dedicated Finder YOU Apps.

BLISS2 and the YESLY devices, if there is no internet, can in any case be operated via Bluetooth.

GATEWAY connects via the 2.4GHz WiFi network of the home router. However, if your wireless connection goes down the YESLY system will continue to work with Bluetooth.

GATEWAY can be integrated with all existing YESLY and BLISS2 systems.



CONTROLLING THE SYSTEM REMOTELY



VOICE CONTROL



IT ALSO WORKS WITHOUT BEING CONNECTED TO THE INTERNET





YESLY - ACCESSORIES - Wireless pushbuttons

Type 1Y.13 - 2 or 4 channel Wireless pushbuttons

BEYON **BLUETOOTH PUSHBUTTON**

Finder's BEYON is an innovative remote control for your YESLY comfort living system.

BEYON's minimal design is suitable for every kind of interior decoration, giving a light and elegant touch. It can be used to turn on/off or adjust the lighting, control electric shutters, and other types of task or to activate scenarios.

Beyon works without batteries and without any charging device.

BEYON is provided with a magnetic disk and an adhesive pad, so it is possible to attach it to any kind of surface, be it: metal, wood, glass.

The silicone covers, included in the packaging, protect the BEYON from falls and provide an incredibly simple color coding, in order to associate buttons to rooms or functions.

BEYON is available WHITE or BLACK, and the cover are available FINDER BLUE, NIGHT GREY and GLACIER WHITE.

Type 1Y.13.B10 - wireless pushbuttons 2 channel, white

Type 1Y.13.B20 - wireless pushbuttons 4 channel, white

Type 1Y.13.B12 - wireless pushbuttons 2 channel, black

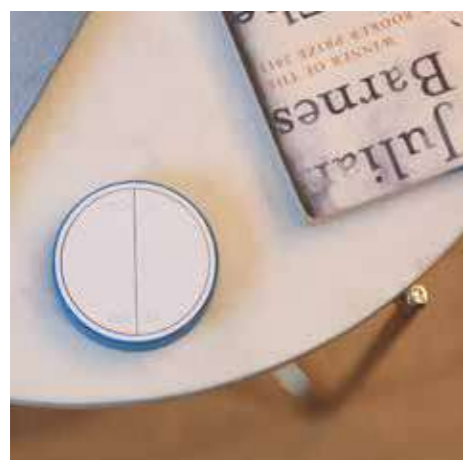
Type 1Y.13.B22 - wireless pushbuttons 4 channel, black

Operating frequency: 2.4 GHz Bluetooth Low Energy

Switching cycles: 50.000

Transmission range: approximately 10 m in free space and without obstacles.

The transmission range may vary depending on the building structure



YESLY - ACCESSORIES - Wireless pushbuttons

Type 013.B9 - 2 or 4 channel Wireless pushbuttons, wall mounting



Wireless pushbuttons for your YESLY comfort living system.

Can be associated with YESLY devices through Finder Toolbox Plus App.

They can switch or dim lights, control electric shutters and other kinds of load.

You can set them up to control whatever you want and even activate scenarios.

The Type 013.B9 pushbuttons work without batteries and without any charging device.

Type 013.B9 pushbuttons are supplied with a magnetic disc and an adhesive pad, so you can place it on any surface: metallic, wooden or glass. Furthermore, thanks to the special adaptor it is possible to install it in a 60mm-diameter box.

The Type 013.B9 pushbutton has a more classic and essential design, providing the YESLY system with a complete stylistic range.

Type 013.B9

Operating frequency: 2.4 GHz Bluetooth Low Energy

Switching cycles: 50.000

Transmission range: approximately 10 m in free space and without obstacles.

The transmission range may vary depending on the building structure

Available in white only

Dimensions: 82 x 82 x 14 mm

The 013.B9 pushbuttons can be configured as 2 or 4 channel using the adapters supplied in the package.



1C SERIES - BLISS2 - Smart Thermostat Type 1C.B1

BLISS2 is much more than just a new connected thermostat

BLISS2



Type 1C .B1.9.005.0007

This is an innovative and smart room thermostat that interfaces perfectly with the Google Assistant and Amazon Alexa voice assistants; which, through the use of voice assistant routines integrates seamlessly with YESLY - Finder's smart home system.

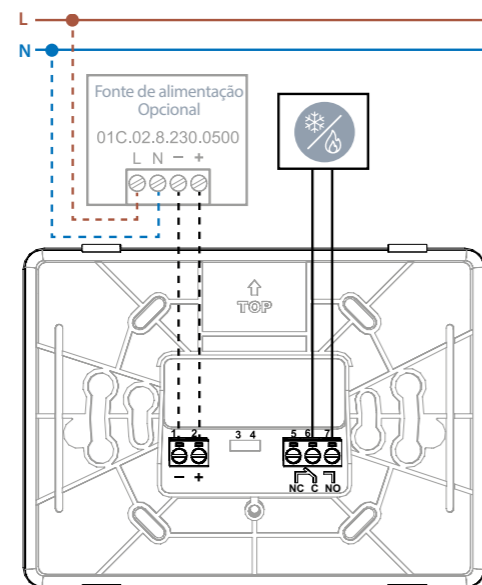
Up to 10 Bliss2 can be paired with each GATEWAY.

Connected to the cloud via GATEWAY (1Y.GU.005.1) and the Finder You app
Long-range 868 MHz communication to back-up Bluetooth transmission in difficult surroundings

Temperature adjustment (+5...+37)°C + RH sense and display (1...99%)
3 x AAA batteries (estimated life of 18 months) or via 230 V AC power supply (option)
Direct surface wall mount or installation over 3-module or 60 mm round wall boxes
1 changeover contact rated 5 A - 230 V AC
Dynamic icons



GATEWAY



KIT BLISS2 - Packaging code 1C.B1.9.005.0007.POA



This bundle contains:

No. 1 BLISS2 thermostat
Type 1C.B1.9.005.0007

+

No. 1 GATEWAY
Type 1Y.GU.005.1



1C SERIES - BLISS2 - Smart Thermostat Type 1C.B1

BLISS2

With BLISS2:

- Read the room Relative Humidity value
- Program the thermostat in manual mode
- Manage the thermostat remotely via the Finder You app
- Manage the room temperature through voice assistants



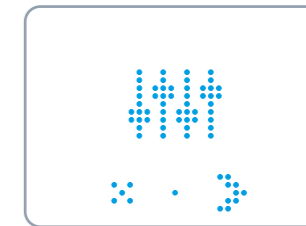
%HR

Display of Relative Humidity currently present in the atmosphere.



ROOM TEMPERATURE

Thermostat is set to AUTOMATIC mode (AUTO) and will respond to programming via the app.



SETTINGS MENU

From here you can access the device settings.

Remote actuator with a single 16 A changeover contact for the BLISS2 smart thermostat



Type 13.21.8.230.5000

The 13.21-S000 actuator is designed to adjust the temperature in a single-zone or multizone installation. Thanks to its long-range radio frequency transmission, the actuator can be inserted in a heating or cooling system and is extremely versatile.

1 changeover contact rated 16 A - 250 V AC
Nominal voltage: 110...230 V AC
Compatible with the BLISS2 SERIES 1C smart thermostat
Ambient temperature range: 0...40°C
Long-range transmission frequency: 868 MHz

Power supply for smart thermostat BLISS2



Type 01C.02.8.230.0500

This power supply is perfect for installations with multiple thermostats, in both the residential and commercial sectors. In particular: hotel, B&B, offices and similar.

When using the smart thermostat BLISS2 with the external power supply, the batteries must be removed.

Rated power: 2 W
Nominal voltage: 110...230 V AC
Output voltage: 5 V DC
Ambient temperature range: 0...40°C
Maximum cable length between power supply and BLISS2:
40 m (2x1.5 mm² flexible cable)

1C SERIES - BLISS2 - Remote actuator Type 13.21.8.230.S000

Type 13.21.8.230.S000
Remote actuator with a single 16 A changeover contact for the BLISS2 smart thermostat



The 13.21-S000 actuator is designed for the remote adjustment of temperature in a single-zone or multi-zone installation. Thanks to its long-range, radio frequency transmission, the actuator can be inserted in a heating or cooling system and is extremely versatile. The actuator can be programmed to activate heating or cooling systems, either single or multizone. Additionally, thanks to integration with the BLISS2, it can be programmed as a hygostat controlling dehumidifying systems. The system is based on radio frequency communication between BLISS2 and the actuator 13.21 - S000 via the GATEWAY which manages all the communications between the various devices.

EXAMPLE OF BASIC APPLICATION



1C SERIES - BLISS2 - Remote actuator Type 13.21.8.230.S000

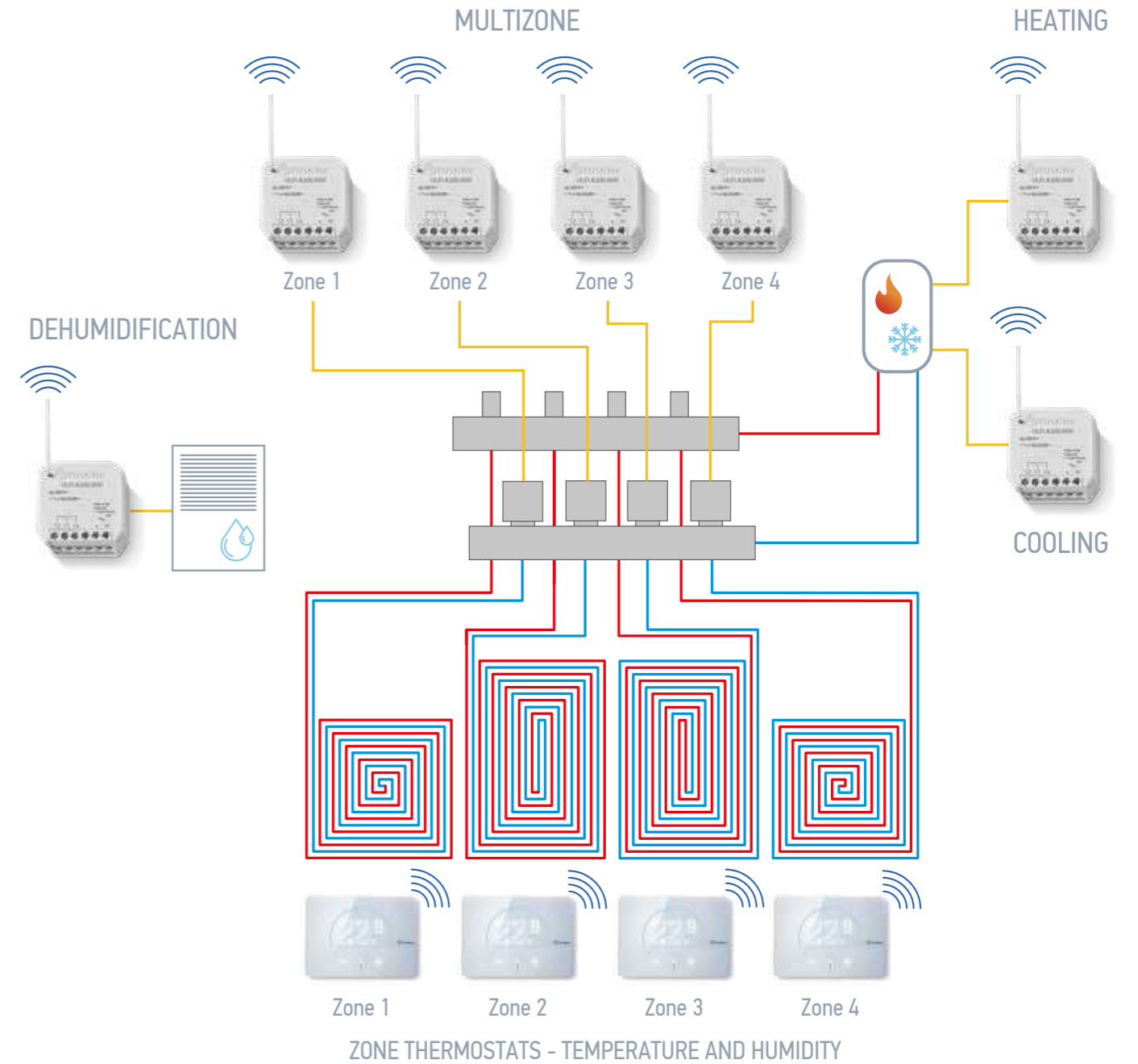
EXAMPLE OF MULTIZONE APPLICATION with a heating system for winter, alternating with cooling for the summer. The system is controlled by zone thermostats that communicate with remote actuators via GATEWAY



GATEWAY



MULTIZONE



ZONE THERMOSTATS - TEMPERATURE AND HUMIDITY

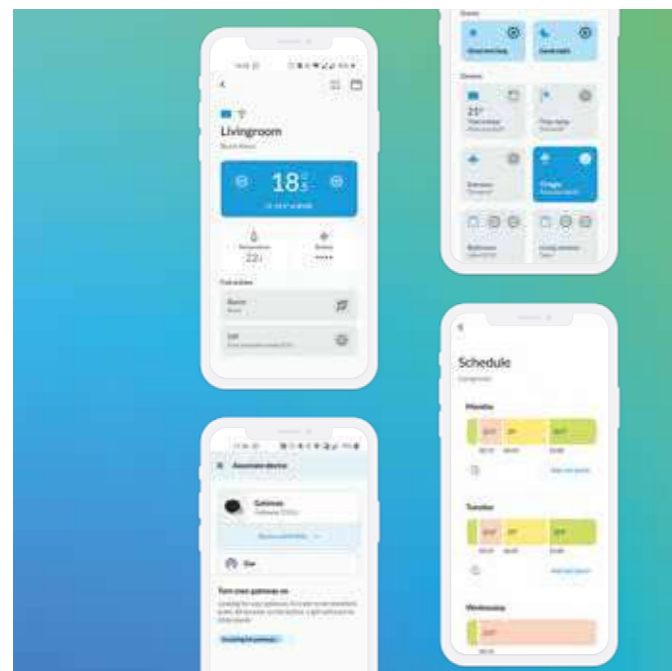


1C SERIES - BLISS2 - Smart Thermostat Type 1C.B1

BLISS2

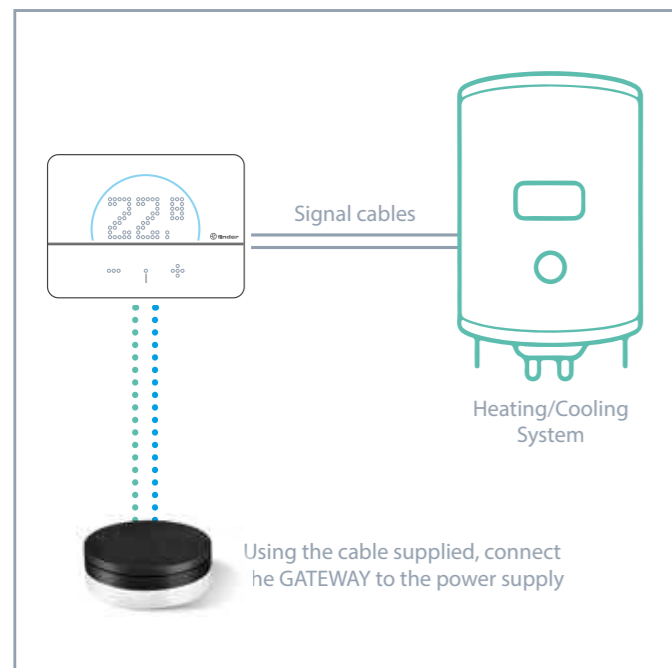
SIMPLE AND INTUITIVE APP

With the free Finder YOU app it is possible to set and programme the temperature, monitor and control your energy consumption and use the automatic functions to save energy such as the AUTOWAY.



TEMPERATURE CONTROL VIA SMARTPHONE

Control the temperature in your home via smartphone wherever you are and monitor your energy consumption.



EASILY REPLACE YOUR OLD THERMOSTAT

BLISS2 is the easiest solution if you want to replace your old thermostat.

NO NEED TO WORRY ABOUT YOUR BATTERIES

POWER SUPPLY 230V, Type 01C.02.8.230.0500

With this power supply you no longer need to replace the batteries in your BLISS2. Recommended for applications in hotels, holiday homes, B&Bs, and offices.

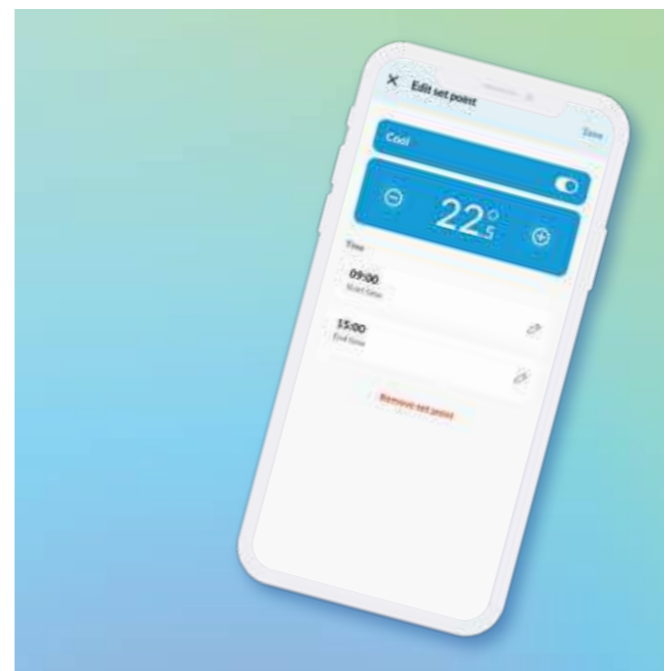


1C SERIES - BLISS Wi-Fi - Chronothermostat Type 1C.91

BLISS_{Wi-Fi}

PROGRAMMABLE VIA APP

BLISS Wi-Fi enables you to programme and control the temperature quickly and easily including remotely via Android and iOS Apps.



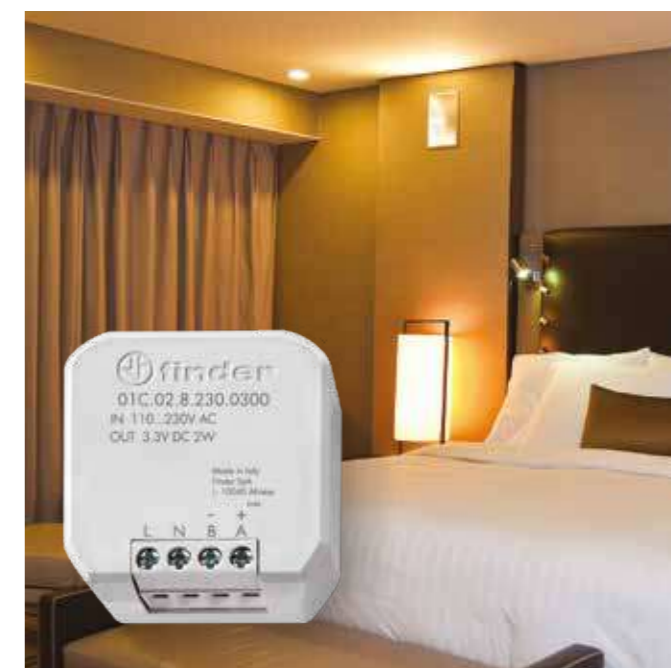
TOUCH-SCREEN OPERATED

It is possible to manage the device directly using the touch screen, which like the whole Finder BLISS range lights up as soon as you touch it.



MULTIUSE AND GEOLOCATION

The whole family can operate the device and use the AUTOWAY function to save energy when you are away from home.



NO NEED TO WORRY ABOUT YOUR BATTERIES

POWER SUPPLY 230V, Type 01C.02.8.230.0300

With this power supply you no longer need to replace the batteries. Recommended for applications in hotels, holiday homes, B&Bs, and offices.

Lights control	Multifunction relays	Product code
	Multifunction relay with Bluetooth - White Compatible with the most popular Italian wall switch systems 2 outputs with NO contacts rated 6 A - 230 V AC 21 functions	13.72.8.230.B000
	Multifunction relay with Bluetooth - Black Compatible with the most popular Italian wall switch systems 2 outputs with NO contacts rated 6 A - 230 V AC 21 functions	13.72.8.230.B002
	Multifunction relay with Bluetooth Recess mounting 2 outputs with NO contacts rated 6 A - 230 V AC 21 functions	13.22.8.230.B000
	Multifunction relay with Bluetooth Recess mounting 1 output with NO contacts rated 16 A - 250 V AC 12 functions	13.21.8.230.B000
	Adapter for DIN rail, to install devices 13.22, 13.21, 13.S2 in an electrical panel	013.17
	Pushbutton phase/neutral converter	013.00
Shutters control	Electric roller blind actuator	
	Single function relay (actuator) with Bluetooth suitable for electric roller blinds and shutters Recess mounting 2 outputs with NO contacts rated 6 A - 230 V AC Motor load: 200 W 230 VAC	13.S2.8.230.B000
Brightness control	Dimmer	
	Bluetooth Dimmer 230 V AC via Phase Control - White Compatible with the most popular Italian wall switch systems 1 output Lamp load: 100 W LED, 200 W halogen	15.71.8.230.B200
	Bluetooth Dimmer 230 V AC via Phase Control - Black Compatible with the most popular Italian wall switch systems 1 output Lamp load: 100 W LED, 200 W halogen	15.71.8.230.B202
	Universal Bluetooth Dimmer 230 V AC via Phase Control Recess mounting 1 output Lamp load: 150 W LED, 300 W halogen	15.21.8.230.B300
	Bluetooth Dimmer PWM for LED strips Maximum load 8 A Compatible with LED strips (12...24 V DC) 1 output Supply voltage 12...24 V DC	15.21.9.024.B200
	Leakage current suppression module	015.0.230

Accessories	Wireless pushbuttons	Product code
	GATEWAY - 2nd generation Remote control of lights and roller blinds Integrates with all existing YESLY and BLISS2 systems.	1Y.GU.005.1
	Range Extender Bluetooth Power supply: 230 V AC Recess mounting	1Y.E8.230
	USB input range extender Bluetooth	1Y.EU.005
	2-Input YESLY interface unit Supply voltage: 110...230 V AC Transmission range: 10 meters in free space	1Y.P2.8.230.B000
	Pushbutton Bluetooth - 2 channel - white Beyon works without batteries and without any charging device	1Y.13.B10
	Pushbutton Bluetooth - 2 channel - black Beyon works without batteries and without any charging device	1Y.13.B12
	Pushbutton Bluetooth - 4 channel - white Beyon works without batteries and without any charging device	1Y.13.B20
	Pushbutton Bluetooth - 4 channel - black Beyon works without batteries and without any charging device	1Y.13.B22
	2 or 4 channel Wireless pushbuttons, wall mounting Works without batteries and without any charging device	013.B9
Temperature control	Smart Thermostat and Chronothermostat	
	Smart room thermostat that interfaces perfectly with the Google Assistant and Amazon Alexa voice assistants. Temperature adjustment (+5...+37)°C + RH sense and display (1...99%). 3 x AAA batteries or via 230 V AC power supply 1 changeover contact rated 5 A - 230 V AC	1C.B1.9.005.0007
	KIT BLISS2 - Packaging This bundle contains: n° 1 BLISS2 Type 1C.B1.9.005.0007 n° 1 GATEWAY Type 1Y.GU.005.1	1C.B1.9.005.0007.POA
	Radio frequency remote actuator 1 CO 16 A 250 V AC	13.21.8.230.S000
	Power supply 110...230 V AC/5 V DC for smart thermostat BLISS2	01C.02.8.230.0500
	Chronothermostat BLISS Wi-Fi. Backlit touch keys Remote management via the app (Android or iOS) Manual, or guided app programming Contact rating 5 A 250 V AC 5-37°C day/night setting. Display range 0-50°C	1C.91.9.003.0W07
	Power supply 110...230 V AC/3.3 V DC for chronothermostat BLISS WiFi	01C.02.8.230.0300



FINDER S.p.A. sole proprietorship
Via Drubiaglio, 14 - 10040 ALMESE (TO) ITALY
tel +39 011 9346211 - export@findernet.com

findernet.com



Prices, features, specifications, capabilities, appearance and availability of our products and services are subject to change without notice. FINDER assumes no responsibility for the presence of possible errors or insufficient information in this document. In case of discrepancies between the printed and online versions, the latter prevails.

ZGUEXXYEBL - VII/2023 - Selection Guide YESLY-BLSS2