

SOLUTIONS FOR YOUR AUTOMATION NEEDS

Equipment for:



AUTOMATION



ASSEMBLY



MANUFACTURING



ABOUT OUR COMPANY



Established in 1953, Bettinelli, S.p.A. has been the leading designer and manufacturer of precision motion control components and systems for automated manufacturing machinery. In 1996, CDS – Cam Driven Systems was established to better support our customers' needs for engineering solutions in automation and motion technology.

CDS produces the widest range of mechanical cam driven products for precision motion control applications requiring rotary or linear transfer, positioning and handling. Our product line includes: cam indexing and servo-driven tables, ring positioning drives, intermittent and oscillating drives with parallel or right angle configuration, rotary & linear part handlers, precision link transfer systems, and epicycloidal servo reducers. CDS's experienced engineering team collaborates with our customers' engineering departments to design and customize a solution to meet their unique specifications. Our engineers are involved










throughout the design and manufacturing process to ensure that all customers' requirements are fulfilled throughout all phases of production.

To ensure and provide the best possible quality, our components are machined in-house on 5 axis CNC machining centers. Cams are hardened in accordance with our proprietary, NC controlled, induction hardening equipment. Nickel plating, sand blasting, and painting of products are also handled in-house, which reduces handling and shortens lead-time. All products are inspected utilizing our Zeiss CMM equipment to ensure the highest accuracy and most consistent quality results.

Currently, CDS – Cam Driven Systems, has corporate offices in Europe (Italy and Germany), North America (NJ, USA) and India (Pune), in addition to international sales representatives and distributors around the world.



PRODUCT SELECTION TABLE

	CAM TYPE	OUTPUT AXIS BEARINGS TYPE	OUTPUT AXIS BEARINGS USAGE	SERIES CODE	NO. OF STOPS	
PARALLEL	 FLAT	 BALL	RADIAL	IP	<ul style="list-style-type: none"> • 1,2,3,4,6,8 • 0.6,0.75,1*,1.33,1.5,2*,5*,10* • Oscillators 	
		 TAPERED ROLLER	AXIAL / RADIAL			
ORTHOGONAL	 CYLINDRICAL	 CROSS -ROLLERS	HIGH AXIAL	TR / IT / HTR	<ul style="list-style-type: none"> • 2,3,4,5,6,8 up to 36 and over • Servo-driven 	
			RADIAL	TRP / TRW	<ul style="list-style-type: none"> • 2,3,4,5,6,8,10,12 	
			OVERTURNING MOMENT	HP	<ul style="list-style-type: none"> • from 1 to 12 and over • Oscillators 	
			 4-CONTACT POINTS BALL	MEDIUM / RADIAL	FT / FTP	<ul style="list-style-type: none"> • from 6 to 36 and over • Servo-driven
					ITP	<ul style="list-style-type: none"> • 2,3,4,5,6,8,10,12
					IT	<ul style="list-style-type: none"> • 2,3,4,5,6,8 up to 30 and over • Servo-driven
ORTHOGONAL	 ORTHOGONAL	 TAPERED ROLLER	MEDIUM AXIAL / RADIAL	IG / IGA	<ul style="list-style-type: none"> • 1,2,3,4,5,6...30 and over • Oscillators 	
		 CROSS-ROLLERS	HIGH AXIAL / RADIAL / OVERTURNING MOMENT	HT	<ul style="list-style-type: none"> • from 4 to 36 and over • Servo-driven • 2,3,4,5,6,8... up to 96 and more 	

INDEX

PARALLEL SHAFT INDEXERS - OSCILLATORS

IP Series pag. 9-10

ROTARY INDEXING TABLES

IT Series pag. 11-12

TR Series pag. 13-14

ROTARY INDEXING & OSCILLATING TABLES

HP Series pag. 15-16

ROLLER GEAR INDEXERS

IG/IGA Series pag. 17-18

SERVOREADY UNITS

HTR Series pag. 19-20

TCR Series pag. 21-22

HIGH PRECISION LINK CONVEYORS

TSL - TL - TXL Series pag. 23-24

CHAIN PALLET CONVEYORS

CPC Series pag. 25-26

LINEAR ACTUATORS

LA Series pag. 27-28

PICK AND PLACE PROGRAMMABLE

MCR Series pag. 29-30

PART HANDLERS

MHP-LHP Series pag. 31-32

OPEN CENTER RING TABLES

FT Series pag. 33-34

HT Series pag. 35-36

PACKAGES

FTP - ITP - TRP - TRW pag. 37-38

CYCLOIDAL REDUCERS

CR Series pag. 39-40

BELT ELEVATORS

EL Series pag. 41-42

SECTORS

Sectors pag. 43-44

OUR PRESENCE

Presence pag. 45-46

100% MADE IN HOUSE



PARALLEL SHAFT INDEXERS - OSCILLATORS

FEATURES

- Repeatability of ± 0.02 mm at cam follower
- Airtight special aluminum alloy housing size from 40 to 130
- Cast iron alloy heavy duty housing size from 165 to 250
- Flanged through-hole input and output shafts supported by large pre-loaded tapered roller bearings
- CNC hardened cam-profiles
- Oscillating and customized cam motions

CARATTERISTICHE TECNICHE

- Ripetibilità ± 0.02 sul raggio primitivo dei perni folli
- Carcassa stagna in lega speciale di alluminio dalla taglia 40 alla 130
- Carcassa in fusione di ghisa per la serie pesante dalla taglia 165 alla 250
- Alberi d'ingresso ed uscita cavi supportati da grandi e precaricati cuscinetti conici (la serie pesante)
- Profilo camma temprato a induzione a controllo numerico
- Possibilità di leggi di moto oscillanti o personalizzate

MERKMALE

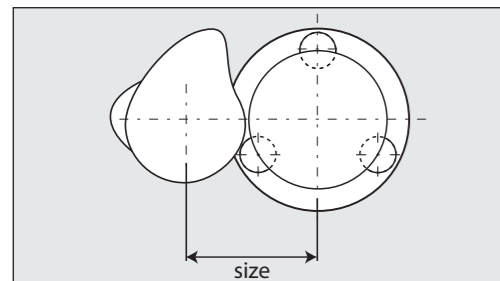
- Wiederholgenauigkeit von ± 0.02 mm an der Kurvenrolle
- Luftdichte Aluminium-Speziallegierung, Gehäusegröße von 40 bis 130
- Graugusslegierung, robustes Gehäuse, Größe von 165 bis 250
- Flansch-Durchgangsbohrung, Eingangs- und Ausgangswelle durch große Kegelrollenlager gestützt
- CNC induktiv gehärtetes Kurvenprofil
- Oszillierende oder kundenspezifische Kurvenbewegungen möglich

CARACTERISTIQUES

- Répétabilité de ± 0.02 mm au niveau du poussoir
- Carter en alliage d'aluminium - dimensions de 40 à 130
- Carter robuste en alliage de fonte - dimensions de 165 à 250
- Arbres d'entrée et de sortie de passage bridés supportés par de grands roulements à rouleaux coniques préchargés
- Profil de came durci par induction CNC
- Mouvement de came oscillant et personnalisé

CARACTERÍSTICAS

- Repetibilidad de ± 0.02 mm en el seguidor de leva
- Tamaño de compartimento hermético especial de aleación de aluminio de 40 a 130
- Tamaño de compartimento hermético pesado de aleación de acero de 165 a 250
- Ejes de entrada y salida agujeros pasantes embridados soportados por rodamientos cónicos precargados
- Perfil leva endurecido inducción CNC
- Movimiento leva oscilante y personalizado

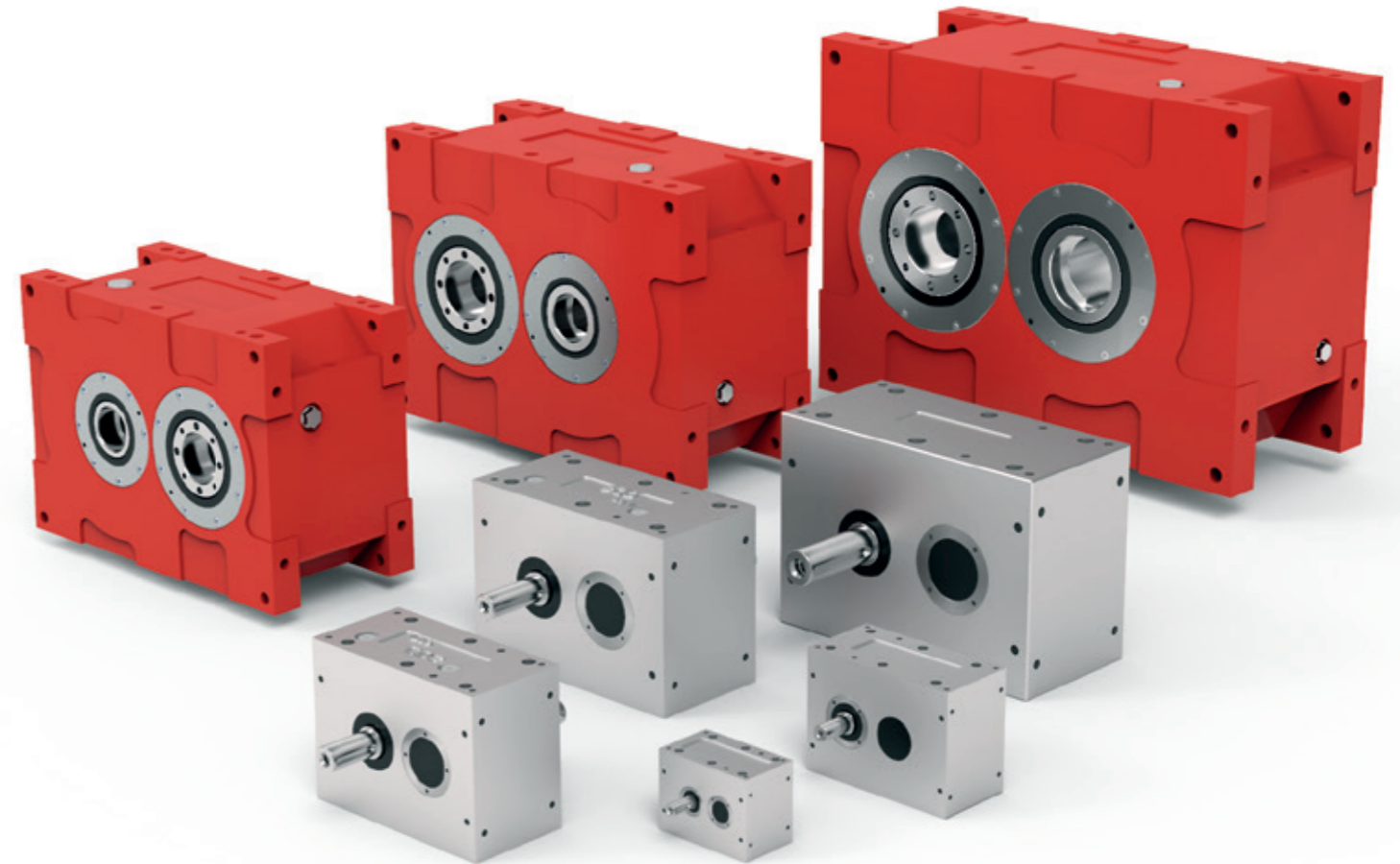


IP Series

Sizes: 40-65-80-105-130-165-200-250

Stops: from 1 to 8 (Including odd and fractional)

The IP series of mechanical drives utilize a precision parabolic cam set and friction cam follower technology for the longest life and utmost in performance

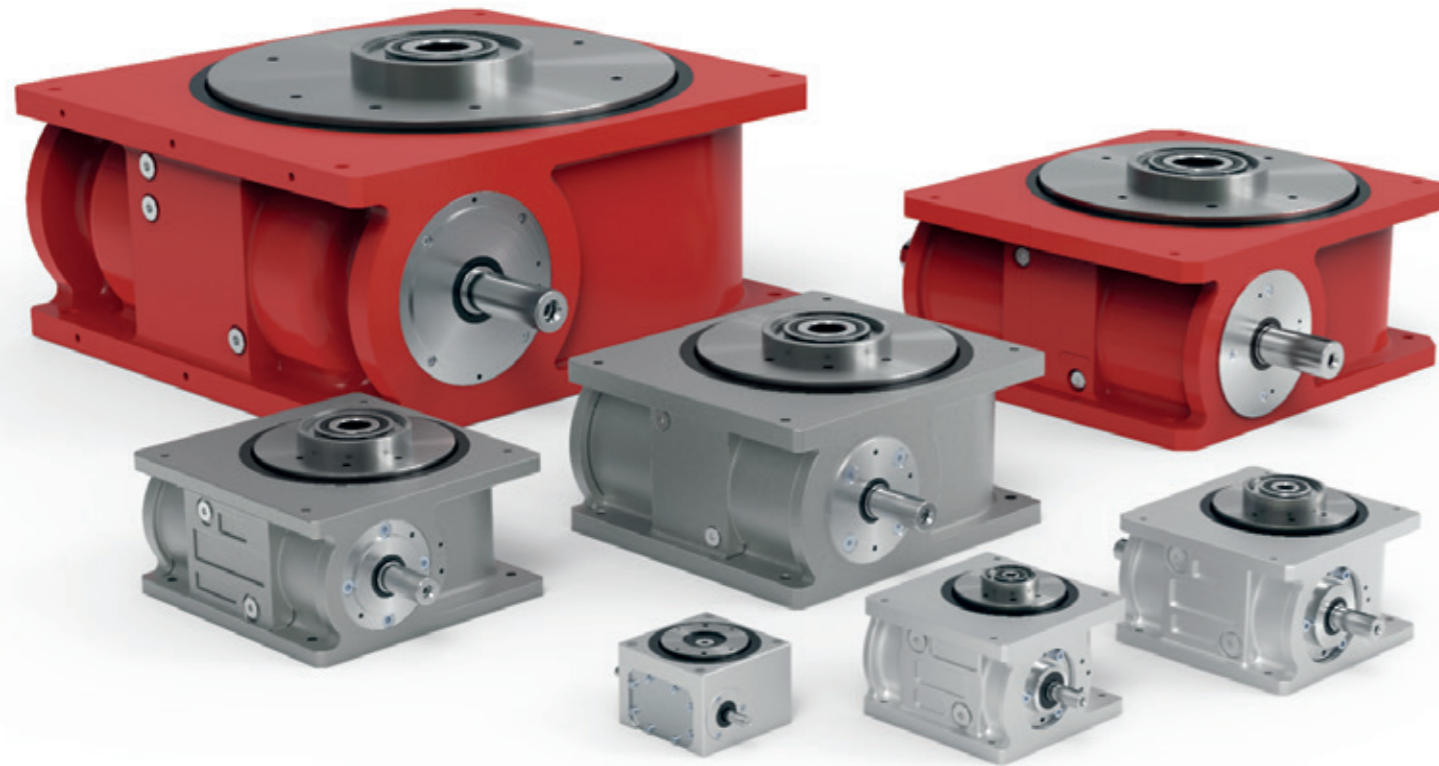


IT Series

Sizes: 50-75-100-150-200-300-450

Stops: from 2 to 36 (Including odd number of stops)

The IT series are industrial rotary tables designed for light to medium duty applications.



ROTARY INDEXING TABLES

🇬🇧 FEATURES

- Aluminum alloy or Cast iron alloy housing for larger model sizes
- Stationery through-hole center post
- Repeatability of ± 0.02 mm at pitch radius
- CNC hardened cam profile
- Oversized tapered roller bearing support
- High positional accuracy with standard induction motors

🇮🇹 CARATTERISTICHE TECNICHE

- Carcassa in lega d'alluminio o in fusione di ghisa per la serie pesante
- Perno centrale fisso con foro centrale
- Ripetibilità pari a ± 0.02 mm sul raggio primitivo dei perni folli
- Profilo camma temprato a induzione a controllo numerico
- Cuscinetti conici di supporto sovradimensionati
- Elevata precisione di posizionamento con motori ad induzione standard

🇩🇪 MERKMALE

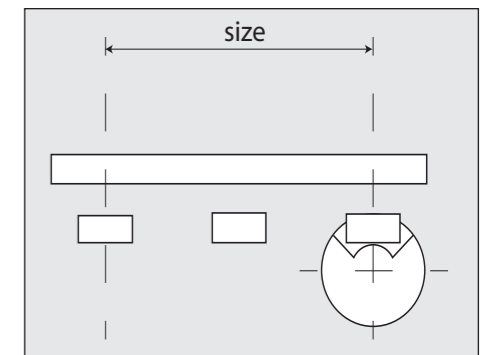
- Aluminiumlegierung oder Gusseisengehäuse für größere Größen
- Stationäres Durchgangsloch, feststehende Mittelsäule
- Wiederholgenauigkeit ± 0.02 mm am Rollensterndurchmesser
- CNC induktiv gehärtete Trommelkurve
- Überdimensionierte Kegelrollenlager-Stütze
- Hohe Positionsgenauigkeit unabhängig von Motorart

🇫🇷 CARACTERISTIQUES

- Carter en alliage d'aluminium et de fonte pour dimensions plus grandes
- Moyeu central fixe avec trou traversant
- Répétabilité de ± 0.02 mm au niveau du rayon du cercle primitif
- Profil de came durci par induction CNC
- Support pour roulement à rouleaux conique surdimensionné
- Positionnement de haute précision avec moteur à induction

🇪🇸 CARACTERÍSTICAS

- Compartimento de aleación de acero fundido o de aleación de aluminios para grandes tamaños
- Centro agujeros pasantes papelería
- Repetibilidad a ± 0.02 mm en el radio de paso
- Perfil leva endurecido inducción CNC
- Soporte rodamiento rodillo cónico de gran tamaño
- Gran precisión de colocación con motor de inducción



ROTARY INDEXING TABLES

TR Series

Sizes: 80-110-160-210-315-400-470-600-700-850-1100 3000

Stops: from 2 to 36+

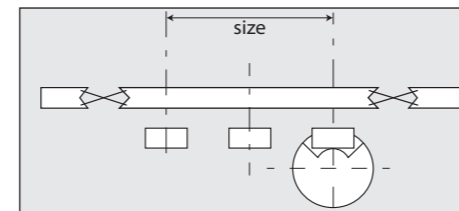
The TR series are industrial rotary positioning & indexing tables designed for heavy duty applications. They are totally customizable and can be configured for either programmable positioning via a servo input or cam indexing to a fixed number of stations

FEATURES

- Optional servo connection for flexible positioning
- Repeatability of ± 0.02 mm at pitch radius
- Load capacities from 20kg to 20ton
- Cast Aluminum alloy (size 80-110) or cast iron alloy housing (160-3000)
- Crossed roller bearings for superior support of heavy loads or unbalanced overturning moments
- Stationery through-hole center post
- CNC hardened cam profile
- Orings and lips seals prevent oil leakage in any working position

- Gehäuse Aluminium-Gusslegierung (Größe 80-110), Eisen-Legierung (160-1100)
- Überdimensioniertes Kreuzrollenlager für schwere Belastungen und hohe Kippmomente
- Stationäres Durchgangsloch, feststehende Mittelsäule
- CNC induktiv gehärtete Trommelkurve
- Geeignet für alle Einbaulagen

- Roulements à rouleaux croisés pour charges lourdes et moments de refoulement
- Moyeu central fixe avec trou traversant
- Profils de came durcis par induction CNC
- Joints adéquats pour éviter les fuites d'huile quelle que soit la position de fonctionnement



CARACTERISTIQUES

- Possibilité de montage de branchement asservi pour positionnement flexible
- Répétabilité de ± 0.02 mm du rayon du cercle primitif
- Capacité de charge de 20kg à 20 tonnes
- Carter en alliage d'aluminium injecté (dimension 80-110) ou en fonte (160-1100)

CARATTERISTICHE TECNICHE

- Disponibile con predisposizione per servomotori per un posizionamento flessibile
- Ripetibilità di ± 0.02 mm sul raggio primitivo dei perni folli
- Capacità di carico da 20 Kg a 20 ton
- Carcassa in lega di alluminio (taglia 80 e 110) o in fusione di ghisa (160-1100)
- Cuscinetto di base a rulli incrociati per carichi pesanti e momenti ribaltanti
- Mozzo centrale fisso con ampio foro passante
- Profilo camma temprato a induzione a controllo numerico
- Appropriato sistema di guarnizioni per una tenuta stagna in ogni posizione di lavoro

MERKMALE

- Auch mit Vorbereitung für Servomotor für flexibles Positionieren erhältlich
- Wiederholgenauigkeit von ± 0.02 mm am Rollensterndurchmesser
- Ladekapazität von 20kg bis 20 Tonnen



CARACTERÍSTICAS

- Sellos apropiados para prevenir pérdidas de aceite en cualquier posición de trabajo
- Repetibilidad de ± 0.02 mm en el radio de paso
- Capacidades de carga de 20kg a 20ton

- Aleación aluminio fundido (tamaño 80-110) o compartimento aleación acero (160-1100)
- Rodamientos cruzados para momentos de perturbación arena de carga pesada

- Centro agujeros pasantes papelería
- Perfil leva endurecido inducción CNC
- Disponibles movimientos leva compleja oscilantes y personalizados

HP Series

Sizes: 80-110-160

Stops: from 1 to 12 (including odd stops and oscillating) with the shortest index angle available on the market

Typical applications include: Rotary dial positioning tables, High speed – long stroke press machinery, indexing conveyor systems.

FEATURES

- Unique design combining high load capacity and short index periods
- Provides fast rotary speeds with longer dwell times
- Ideal for continuous motion machines
- Cast iron alloy housing universal mounting position
- Output dial supported by crossed-roller bearing
- High station-to-station accuracy
- High output angle with small input angle
- CNC hardened cam profile
- Complex motions and very short cam-motion periods for wide output displacements available
- Orings and seals prevent oil leakage in any working position
- Can be fitted with reducer and motor



ROTARY INDEXING & OSCILLATING TABLES

CARATTERISTICHE TECNICHE

- Progetto speciale CDS che combina la possibilità di supportare carichi pesanti con angoli di traslazione molto stretti
- Rende possibili rotazioni veloci con lunga fase di sosta
- Ideali per macchine che lavorano in continuo
- Carcassa in fusione di ghisa per un montaggio universale
- Piatto in uscita supportato da cuscinetto a rulli incrociati
- Elevata precisione di posizionamento
- Ampio angolo in uscita ottenuto con un piccolo angolo in entrata
- Profilo camma temprato a induzione a controllo numerico
- Possibilità di ottenere i più complessi sincronismi con angoli di movimento sulla camma molto stretti ed ampi angoli di sosta
- Un appropriato sistema di guarnizioni garantisce una perfetta tenuta
- Disponibile completo di riduttore e motore

MERKMALE

- Einzigartige Kombination zwischen einem Kreuzrollenlager und einem kurzen Schaltwinkel (entwickelt von CDS)
- Ermöglicht eine sehr hohe Drehgeschwindigkeit und eine lange Rastphase
- Ideal für Maschinen mit kontinuierlicher Bewegung
- Gehäuse Gusseisenlegierung, universelle Einbaulage
- Ausgangsflansch gestützt durch Kreuzrollenlager

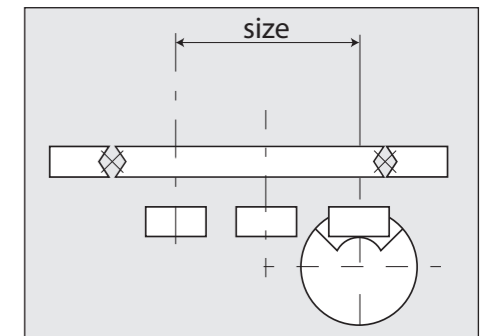
- Hohe Station-zu-Station-Genauigkeit
- Großer Ausgangswinkel durch kurzen (sehr kleinen) Eingangs-(Schalt-)winkel
- CNC induktiv gehärtete Kurvenprofile
- Ermöglicht komplexe Bewegungen durch sehr kurze Schaltzeiten in Kombination mit großem Ausgangswinkel
- Geeignete Dichtungen verhindern Ölaustritt in jeder Arbeitsposition
- Kann mit Untersetzungsgetriebe und Motor eingebaut werden

CARACTERISTIQUES

- Un design CDS unique d'un support combiné pour charge lourde et un pas angulaire très faible
- Cela facilite une vitesse de rotation rapide et un temps de pause élevé
- Idéal pour les machines à mouvement continu
- Carter en alliage de fonte avec position de montage universelle
- Cadran de réglage soutenu par un roulement à rouleaux croisés
- Haute précision point à point
- Angle de sortie élevé pour un petit angle d'entrée
- Profils de came durcis par induction CNC
- Mouvements complexes et périodes de mouvement de came très courtes pour des déplacements de sortie importants disponibles
- Joints adéquats pour éviter les fuites d'huile quelle que soit la position de fonctionnement
- Possibilité de montage d'un réducteur et motoréducteur

CARACTERÍSTICAS

- Diseño único CDS de soporte carga pesada combinado y ángulo índice muy reducido
- Facilita una velocidad de rotación rápida y un tiempo de permanencia elevado
- Ideal para máquinas de movimiento continuo
- Posición de montaje universal compartimento aleación de acero fundido
- Dial de salida sostenido por rodamiento cruzado
- Precisión elevada de estación a estación
- Ángulo de salida elevado para un ángulo de entrada reducido
- Perfil leva endurecido inducción CNC
- Movimientos complejos y periodos de movimiento-leva corta para amplios desplazamientos de salida disponibles
- El sellado apropiado previene las pérdidas de aceite en cualquier posición de trabajo
- Se puede acompañar de reductor y transmisión



IG/IGA Series

Sizes: 50-63-80-82.5-100-108-125-140-160-200

Stops: from 1 to 24 (Including odd and fractional numbers of stops)

The IG & IGA series feature an induction hardened precision globoidal cam set and solid cam follower technology, this provides a right angle input/output arrangement. IG provides a flange style output and IGA provides a shaft output.



FEATURES

- Operating speed up to 800+ cycles/min.
- Intermittent Indexing or Oscillating motions
- Special MEDI-CAM option for clean room applications
- Widest range of symmetric and asymmetric cams
- Positional accuracy of ± 20 microns at follower pitch center diameter
- CNC hardened cam profile
- Seals designed for leak-proof operation in any position

CARATTERISTICHE TECNICHE

- Velocità operativa fino a oltre 800 cicli/min
- Possibilità di movimento intermittente o oscillante
- Versioni speciali MEDI CAM per applicazioni in camera bianca
- Ampia gamma di leggi di moto simmetriche ed asimmetriche
- Precisione di posizionamento di ± 20 micron sul diam. primitivo dei perni folli
- Profilo camma temprato a induzione a controllo numerico
- Sistema di guarnizioni per evitare perdite di lubrificante in ogni posizione di lavoro

MERKMALE

- Betriebsgeschwindigkeit bis zu 800+ Zyklen/Minute
- Intermittierende Schritt- oder Pendelbewegungen
- Spezieller MEDI-CAM Bereich, reinraumtauglich
- Breitestes Spektrum von symmetrischen und asymmetrischen Schaltkurven
- Positionsgenauigkeit von $\pm 0,02$ mm am PCD-Anhänger
- CNC induktiv gehärtete Globoidkurve
- Geeignet für jede Einbaulage

IG



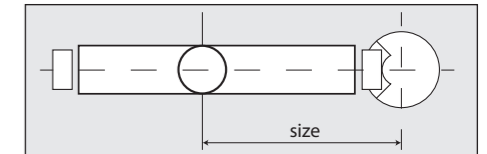
IGA



ROLLER GEAR INDEXERS

CARACTERISTIQUES

- Vitesse de fonctionnement jusqu'à 800+ cycles/ min
- Mouvements d'indexage et d'oscillation intermittents
- Gamme spéciale MEDI-CAM pour application en milieu stérile
- La plus vaste gamme de cames symétriques et asymétriques
- Précision de la position de ± 20 microns au niveau du DCP du poussoir
- Profils de came durcis par induction CNC
- Joints conçus pour fonctionnement étanche quelle que soit la position



CARACTERÍSTICAS

- Velocidad operativa de hasta 800+ revoluciones/min
- Indización intermitente o movimientos oscilantes
- Intervalo especial MEDI-CAM para aplicación sala de lavado
- Amplia gama de levas simétricas y asimétricas
- Precisión de ubicación de ± 20 microns en seguidor PCD
- Perfil leva endurecido inducción CNC
- Sellos para pruebas-pérdidas en cualquier posición

SERVOREADY UNITS

The mounting adapter allows customers to use their own preferred brand of servo motor for easy compatibility.

🇬🇧 FEATURES

- Characterized by a large central through hole is the perfect gateway for wires and struts and the low-profile fits the table in every project
- The load-bearing housing make the use easier: no extra supports or structure must be added
- The squared and hollow-free design is perfect for clean-room applications where cleanness is required

🇮🇹 CARATTERISTICHE TECNICHE

- Caratterizzate da un ampio foro centrale che permette il passaggio dei cavi e il posizionamento di supporti, dall'altezza ridotta che riduce gli ingombri e dall'elevato numero di stazioni
- La cassa robusta e portante agevola la progettazione in quanto la tavola rotante non necessita di alcun supporto
- La forma squadrata e priva di intercapedini rendono questa serie ideale per operazioni in camera bianca ove è necessaria la massima pulizia

🇩🇪 MERKMALE

- Durch eine große zentrale Bohrung zur Kabeldurchführung und zur Stützenpositionierung gekennzeichnet. Kompakt und durch eine große Stationenzahl gekennzeichnet
- Das robuste und tragfähige Gehäuse erleichtert die Konstruktion, da der Rotationstisch keine Abstützung benötigt
- Die quadratische Form und die Abwesenheit von Hohlräumen machen diese Serie ideal für Reinraumanwendungen, bei denen eine maximale Reinigung erforderlich ist



HTR Series

Sizes: 110 - 160 - 210

Stops: servo-driven

Index Angle: freely programmable

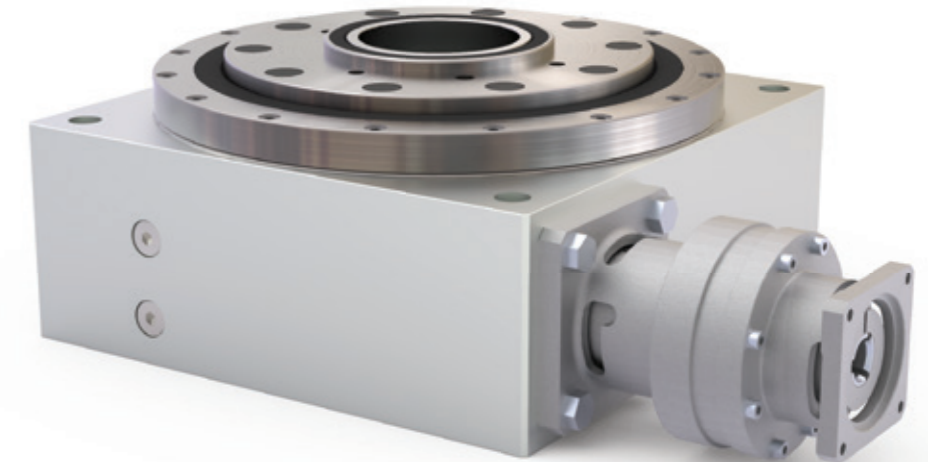
The HTR series is designed to be freely programmable for flexible positioning via a servo motor input. The mounting adapter allows customers to use their own preferred brand of servo motor for easy compatibility.

🇫🇷 CARACTERISTIQUES

- Caractérisé par un grand trou central qui permet le passage des câbles et le positionnement des supports, par la hauteur réduite qui réduit l'encombrement et par le nombre élevé de stations
- Le boîtier robuste et porteur facilite la conception car la table rotative ne nécessite aucun support
- La forme carrée et sans parois doubles rendent cette série idéale pour les opérations en salle blanche nécessitant un nettoyage maximal

🇪🇸 CARACTERÍSTICAS

- Caracterizado por un amplio orificio central que permite el paso de cables y el posicionamiento de soportes, de pequeñas dimensiones que reduce las dimensiones y con un elevado número de estaciones
- La caja robusta y portante facilita el diseño ya que la mesa giratoria no requiere ningún soporte
- La forma cuadrada y sin crujías hacen que esta serie sea ideal para realizar operaciones en salas blancas donde se requiere la máxima limpieza



TCR Series

Sizes: 075 - 100 - 150

Stops: freely programmable positioning

Index Angle: Ratio 72:1

TCR series of programmable rotary tables is designed for applications where high compact and robust solutions are required.



SERVOREADY TABLES

The CDS new generation of cycloid reducers has an improved technical design, with an external ring gear, the inner surface profile of which is the external offset of an epitrochoid, and engages with the planet wheel by means of cylindrical rollers

🇬🇧 FEATURES

- Large output flange for an easy connection to the dial plate
- Output dial mounting flange supported by oversized preloaded cross-roller bearing
- Maximum accuracy
- High torque
- Oil bath lubrication for life
- Long lifetime
- Maintenance free
- Guaranteed sealing system in any working position

🇮🇹 CARATTERISTICHE TECNICHE

- Ampia flangia uscita moto per agevolare il calettamento di dischi
- Uscita moto supportata da ralla surdimensionata a rulli incrociati
- Elevata precisione di posizionamento
- Elevata capacità di carico
- Lubrificazione a vita in bagno d'olio
- Lunga durata
- Esente da manutenzione
- Sistema di guarnizioni che garantisce la tenuta in qualsiasi posizione di lavoro

🇩🇪 MERKMALE

- Ausgangsscheibe mit großem Flansch zur Erleichterung der Scheibenverbindung
- Ausgangsscheibe unterstützt durch überdimensionierte Scheibe mit Kreuzrollen

- Maximum der Positionierungspräzision
- Hohes Drehmoment
- Lebenslange Schmierung in Ölbad
- Lange Lebensdauer
- Wartungsfrei
- Dichtungssystem, das die Dichte in jeder Arbeitsposition garantiert

- Larga durabilidad
- Sin mantenimiento
- Sistema de juntas que garantiza la estanqueidad en cualquier posición de trabajo

🇫🇷 CARACTERISTIQUES

- Grande flasque de sortie mouvement pour faciliter le calage des plateaux
- Sortie mouvement avec support butée de grande dimension à galets croisés
- Précision maximale de positionnement
- Couple élevé
- Lubrification à vie en bain d'huile
- Longue durée de vie
- Sans entretien
- Système de joints qui garantissent la tenue dans n'importe quelle position de travail

🇪🇸 CARACTERÍSTICAS

- Brida de salida de movimiento para facilitar el acoplamiento de los platos
- Salida de movimiento de fijación a rodamiento sobredimensionado en cojinete de rodillos cruzados
- Máxima precisión de posicionamiento
- Elevado par de fuerza
- Lubricación durante vida útil en baño de aceite

HIGH PRECISION LINK CONVEYORS

CDS Precision Link Conveyors provide the industry's highest accuracy and repeatability for automated assembly and manufacturing machinery platforms.

Combined with the highest dynamic performance available on the market.

FEATURES

- Precision linear positioner with cams
- Versatile and compact modular-component design
- Carousel or Over-Under working positions
- Precision machined cast iron chemical-nickel plated links
- Precision chordal compensation cams
- High station-to-station accuracy
- Fast intermittent motion
- Vibration free
- Cycle Rates up to 240+ indexes per minute
- Clean room certified for medical pharma devices

CARATTERISTICHE TECNICHE

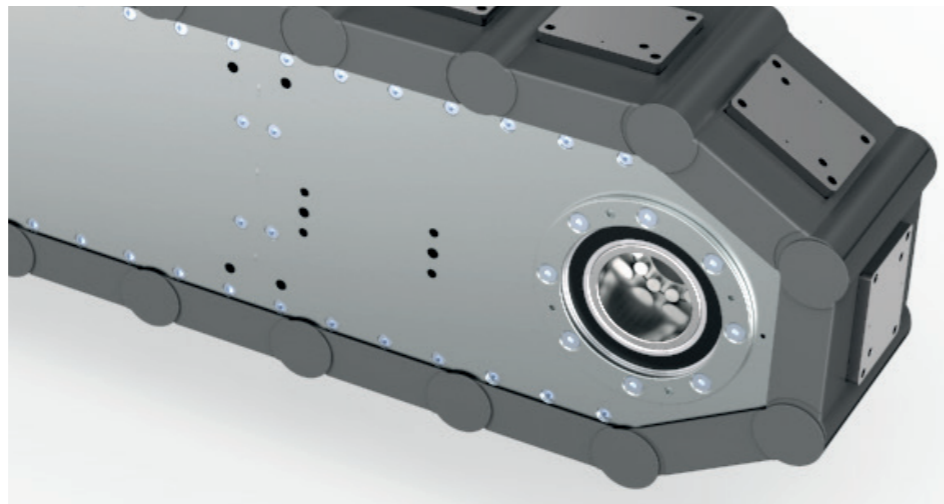
- Posizionatore lineare di precisione a camme
- Progettazione modulare compatta e versatile
- Posizione di lavoro a carosello o in verticale
- Maglie di precisione in ghisa con trattamento di nichelatura
- Camma di compensazione effetto poligonale
- Elevata precisione da stazione a stazione
- Movimento intermittente veloce
- Esente da vibrazioni
- CDS può integrare il gruppo in sistemi complessi o fornire la base meccanica completa
- Cicli di lavoro fino a 240+ al minuto
- Camera bianca certificata per i dispositivi medici e farmaceutici

MERKMALE

- Kurvengesteuertes, hochpräzises Lineartaktsystem
- Vielseitiges, kompaktes und modulares Komponenten-Design
- Karusell- oder Über-Unten-Arbeitspositionen möglich
- Präzisions-Gussbearbeitung, chemisch vernickelte Palettenglieder
- Präzisionskurve zum Ausgleich des Polygoneffektes
- Hohe Station-zu-Station-Genauigkeit
- Schnelle intermittierende Bewegung
- Vibrationsfrei
- Maschinen-Sub-Systeme nach Kundenwunsch
- Taktzeiten bis zu 240+/Minute
- Reinraum-zertifiziert für medizinische und pharmazeutische Apparate

CARACTERISTIQUES

- Transporteurs haute précision entraîné par came
- Conception modulaire compacte et versatile
- Positions de fonctionnement en carrousel ou dessus-dessous
- Maillons avec usinage de précision en fonte et nickelés chimiquement
- Cames à compensation d'effet polygonal
- Haute précision point à point
- Mouvement intermittent rapide
- Sans vibration
- CDS peut concevoir et réaliser des sous-systèmes de machine pour répondre aux besoins des clients
- Vitesses de cycles jusqu'à 240+ indexes par minute
- Salle blanche certifiée pour dispositifs médicaux et pharmaceutiques

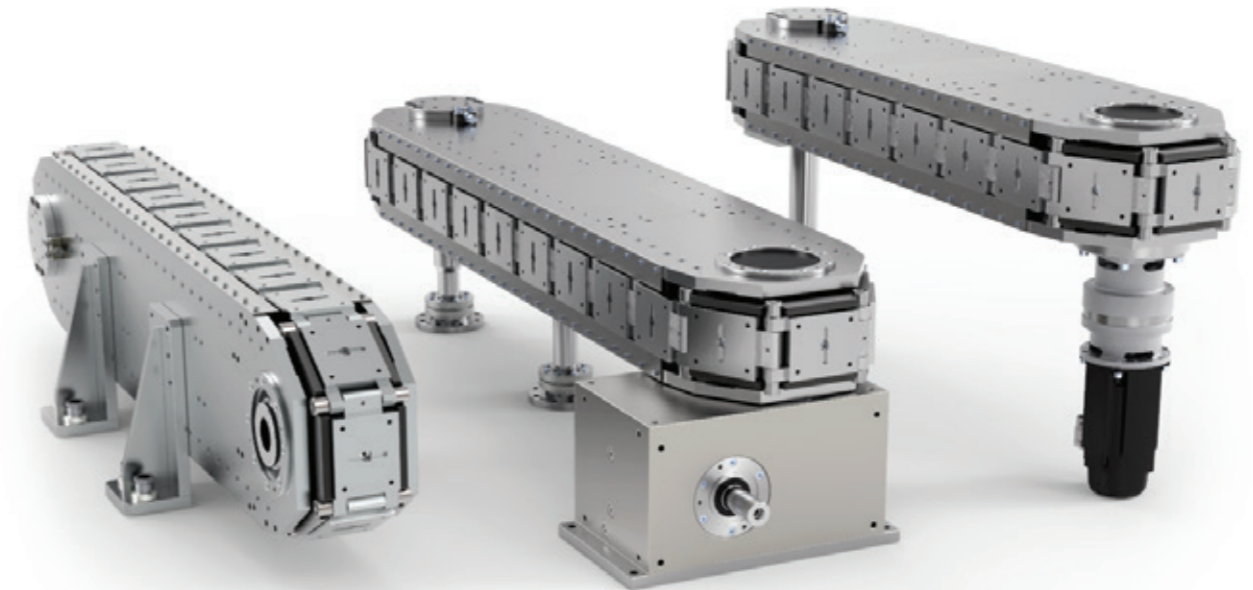


TL Series

Models: TL Sizes: 25-50-75-100-105-150-200-250

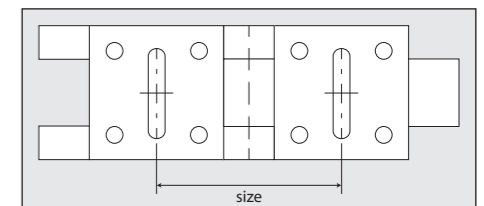
TSL Size: 50

TXL Sizes: 75-100-150



CARACTERÍSTICAS

- Leva dirigida con cintas transportadoras de gran precisión
- Diseño versátil y compacto componentes modulares
- Posiciones operativas carrusel u over-under
- Enlaces niquelados acero fundido con mecanización precisa
- Levas de compensación de precisión cordal
- Precisión elevada de estación a estación
- Movimiento rápido intermitente
- Vibración libre
- CDS puede diseñar y fabricar subsistemas de máquinas adecuados a las necesidades del cliente
- Velocidades de ciclo de hasta 240+ índices por minuto
- Sala limpia certificada para aparatos médicos y farmacéuticos

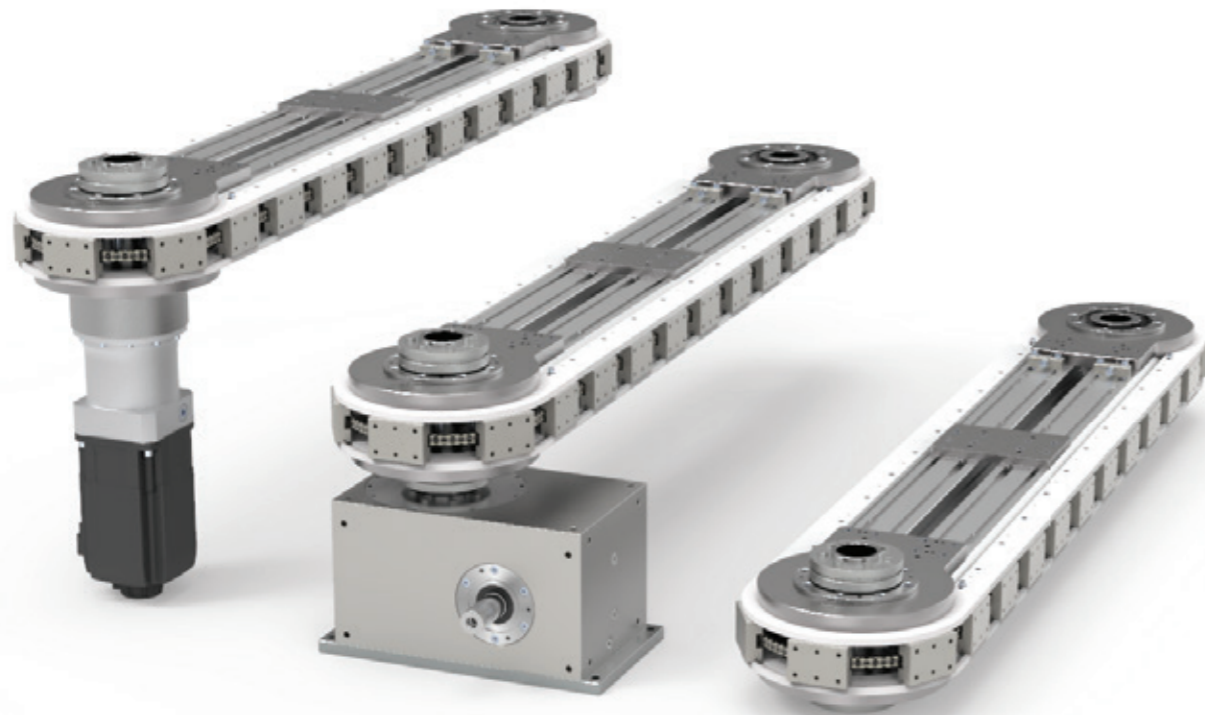


CPC Series

Sizes: CPC3P - CPC6P

Steps: from 76,2 to 457.2+ mm

Cycle rates: up to 70 indexes per minute



CHAIN PALLET CONVEYORS

The CPC is designed for lighter duty indexing & transfer applications requiring a good “medium” level of accuracy for part positioning. It is ideal for processes such as filling, inspection of parts, assembly & testing, .etc.

🇬🇧 FEATURES

- Body structure is made from special cast aluminum profiles
- The aluminum alloy links/pallets are anodized
- Configured for fixed indexing motion or servo driven for flexible positioning
- It can operate and perform in any working position both vertical or horizontal
- Special nickel-plated chain with cast aluminium links machined to the highest accuracy standards

🇮🇹 CARATTERISTICHE TECNICHE

- Il corpo centrale è realizzato con profilo speciale di alluminio
- Pallet anodizzati in lega di alluminio
- Predisposto per un'azionamento tramite servomotore o un'unità a camma globoidale
- Può inoltre lavorare in qualunque posizione sia richiesta dal progettista
- Catena speciale nichelata con maglie in fusione di alluminio lavorate con i massimi standard di precisione

🇩🇪 MERKMALE

- Der Hauptteil wurde mit einem Aluprofil ausgestattet
- Die aus Alulegierung eloxierten Palettenglieder
- Mit Servomotor konfiguriert oder durch die Präzision und die Einfachheit eines Globoidgetriebes
- Der CPC kann in jeder gewünschten Positionierung in Betrieb gesetzt werden
- Die vernickelte Sonderkette mit Paletten aus Aluguss wurde nach den höchsten Genauigkeitsstandards bearbeitet

🇫🇷 CARACTERISTIQUES

- Le corps central est réalisé avec un profilé en aluminium
- Les palettes anodisées en alliage d'aluminium
- Configuré avec d'un servomoteur ou la simplicité d'une unité à came globoidale
- Peut également travailler dans n'importe quel position de travail.
- Chaîne spéciale nickelée avec maillons en fonte d'aluminium usinée avec les plus hauts standards de précision

🇪🇸 CARACTERÍSTICAS

- El cuerpo central está realizado con un perfil de aluminio especial
- Los palets de aleación de aluminio galvanizado
- Configurado para la flexibilidad de un servomotor como la precisión y sencillez de una unidad de levas globoidales
- CPC también puede trabajar en cualquier puesto que requiera el diseñador
- Cadena especial niquelada con eslabones realizados en aluminio fundido y siguiendo los máximos estándares de precisión

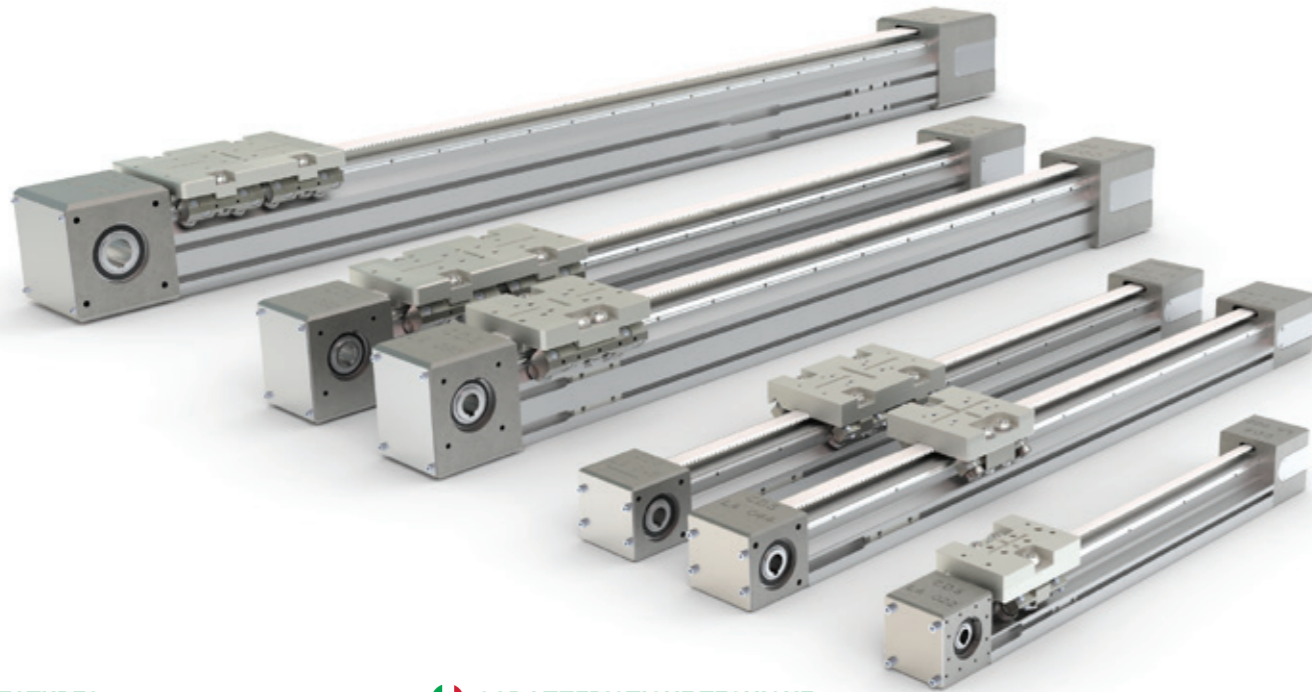


LA Series

Sizes: 022 - 044 - 045 - 090 - 092 - 170

Index Angle: acceleration >3g, speed up to 5 m/s

Precision: +/- 0.1 mm unidirectional +/-0.04 mm bidirectional



FEATURES

- This series can be driven with a servo motor for flexible positioning or with an indexer for fixed positioning
- The LA series can be used for XYZ positioner and the T-groove on the body of the actuator permits an easy application in every project
- The carriage rolls on shielded bearings, preloaded to insure a backlash-free movement and lubrication-free long life

CARATTERISTICHE TECNICHE

- Sono progettati sia per una movimentazione programmabile con servo motore sia per una più tradizionale movimentazione a mezzo unità index
- Disponibili sia ad asse singolo sia multi asse per robot Cartesiani o a Portale e forniti di una struttura estrusa con guida a T per una più semplice installazione
- Il carro scorre su binaria doppia guida prismatica e utilizza cuscinetti a rulli a gioco zero sigillati e lubrificati a vita

LINEAR ACTUATORS

The LA series of high performances belt linear actuators is designed for applications requiring both accurate linear positioning and outstanding performance.

MERKMALE

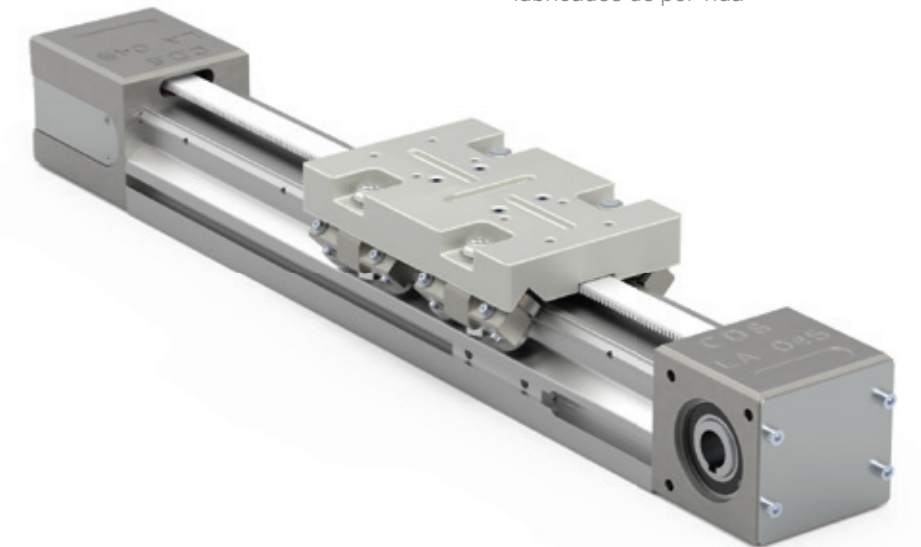
- Diese linearen Riemenantriebe sind sowohl für die programmierbare Bewegung durch den Servomotor als auch für die herkömmliche Bewegung durch die Indexeinheit ausgelegt
- Sie sind mit einer oder mehreren Achsen für kartesische oder Portalroboter erhältlich und mit einer extrudierten Struktur mit T-Schiene für eine einfachere Installation und Montage ausgestattet
- Der Schlitten läuft auf einer doppelprismatischen Führungsschiene und verwendet spielfreie Rollenlager, die auf Lebensdauer abgedichtet und geschmiert sind

CARACTERISTIQUES

- Sont conçus pour une manutention programmable avec servomoteur et pour une manutention plus traditionnelle au moyen de l'unité d'indexage
- Ils sont disponibles à axe unique et multiaxes pour robots Cartésiens ou à Portal et sont livrés avec une structure extrudée avec guidage en T pour une installation et un montage plus faciles
- Le chariot coulisse sur un double rail de guidage prismatique et utilise des roulements à rouleaux à jeu nul, scellés et lubrifiés à vie

CARACTERÍSTICAS

- Están diseñados sea para un movimiento programable con servo motor que para un más tradicional movimiento por medio de unidades index
- Se encuentran disponibles sea con un solo eje que multi eje para robot Cartesianos o de Pórtico y compuestos por una estructura extrusa con guía en T para una instalación más simple y montaje
- El carro se desplaza sobre una vía con doble guía prismática y utiliza cojinetes con rodillos con juego cero sellados y lubricados de por vida



PICK AND PLACE PROGRAMMABLE

The new MCR series of servo pick & place are designed for industrial automation applications requiring fast and accurate positioning

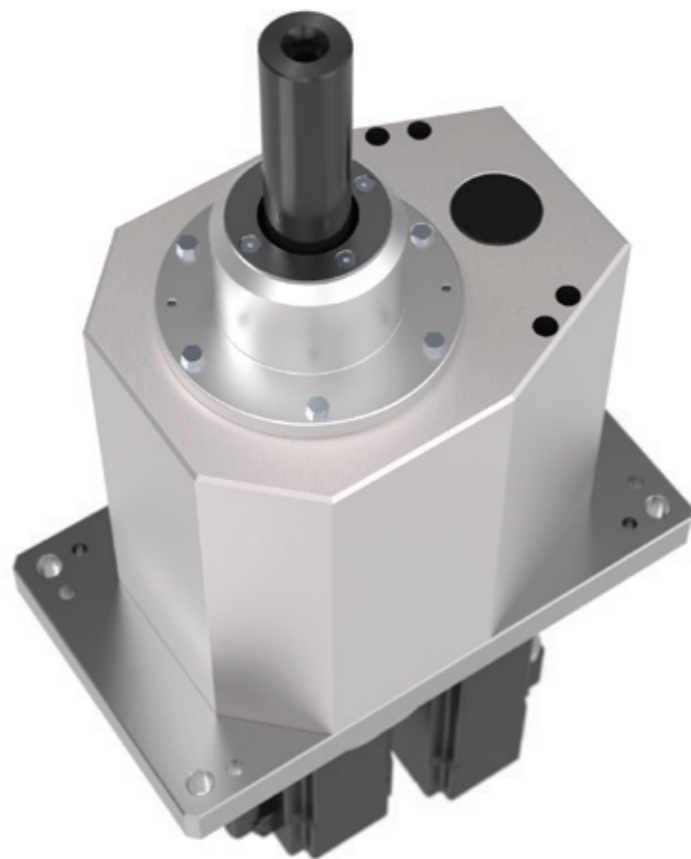
🇬🇧 FEATURES

- Fully programmable for flexible positioning
- Handle heavy parts with fast cycle rates
- Compact footprint and clean design - meets "clean room" requirements
- Simple and easy mounting utilizing the main connection plate
- High mechanical rigidity, smooth vibration free motions, quiet operation and high repeatability throughout the work/motion cycle

- Leakproof performance in every working position
- Lubed for life – zero maintenance
- All internal components run in sealed oil bath

🇮🇹 CARATTERISTICHE TECNICHE

- Il manipolatore elettronico MCR è completamente programmabile e flessibile
- Può movimentare carichi significativi e raggiungere elevate velocità
- Design compatto e lineare per applicazioni in camera bianca
- Montaggio semplice e facile utilizzando la piastra di connessione principale
- Offre alti livelli di rigidità, di precisione, ripetibilità costante ed assenza di vibrazioni (bassa rumorosità) durante il ciclo di lavoro
- Prestazioni a tenuta stagna in ogni posizione di lavoro
- Tutti i componenti in movimenti sono in bagno d'olio
- È garantita la tenuta del lubrificante e non è richiesta manutenzione ordinaria



MCR Series

Size: 75

Stops: Freely programmable - servo drive

Max pressing force: 1000 N

Max payload: 200 N

Max. vertical stroke: 100 mm



MHP/LHP Series

Sizes: 40-60-100-150

The **MHP** series of rotary part handlers / pick and place units combine both a rotary and vertical motion for precision part handling processes.

FEATURES

- High positioning accuracy due to a cam based mechanical mechanism
- Very high point to point speed including lifting/rotation time
- Higher cycle rates compared to pneumatic device
- Compact cast aluminum alloy housing
- Fast, accurate and repeatable
- Double extended cam-shaft
- CNC induction hardened cam profiles
- Indexing or oscillating custom cam-motions
- Can be fitted with reducer and motordrive

CARATTERISTICHE TECNICHE

- Elevata precisione di posizionamento dovuto ad un meccanismo a camme
- Elevati numeri di cicli inclusi rotazioni ed alzate
- Elevato numero di cicli, maggiore rispetto ad un sistema pneumatico
- Carcassa in lega di alluminio compatta
- Veloci e precisi
- Albero porta camme bisporgente
- Profilo camma temprato a induzione a controllo numerico
- Possibilità di movimenti intermittenti o oscillanti
- Possibilità di montaggio diretto del motoriduttore



MHP ROTARY

PART HANDLERS

The **LHP** series of linear part handlers / pick and place units combine both a linear and vertical motion for precision part handling processes.

MERKMALE

- Hohe Positioniergenauigkeit aufgrund eines kurvengesteuerten Mechanismus
- Sehr hohe Punkt-zu-Punkt-Geschwindigkeit, einschließlich Hebe-/Drehzeit
- Deutlich schnellere Taktzeiten im Vergleich zu pneumatischen Systemen
- Kompaktes Gehäuse aus Aluminiumlegierung
- Schnell, präzise und wiederholbar
- Doppelt erweiterte Nockenwelle
- CNC induktiv gehärtete Kurvenprofile
- Schritt- und Pendelbewegungen nach Kundenwunsch
- Kann mit Untersetzungsgetriebe und Motor eingebaut werden

CARACTERISTIQUES

- Positionnement de haute précision grâce à un mécanisme mécanique basé sur les cames
- Très haute vitesse point à point, y compris les temps de levage/rotation
- Grand nombre de cycles, plus élevé qu'un système pneumatique
- Boîtier compact en alliage d'aluminium injecté
- Rapide, précis et répétable
- Arbre à cames à double extension
- Profils de came durcis par induction CNC
- Mouvements de came d'indexage et

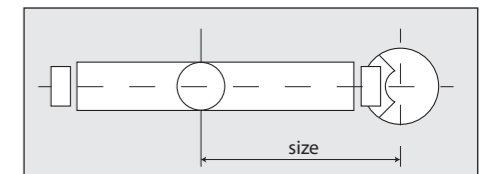
LHP LINEAR



- d'oscillation personnalisés
- Possibilité de montage d'un réducteur ou motoréducteur

CARACTERÍSTICAS

- Gran precisión de ubicación gracias a un mecanismo mecánico de base cam
- Velocidad de punto a punto muy elevada incluyendo tiempo de elevación / rotación
- Alto número de ciclos, mayor que un sistema neumático



- Compartimento aleación de aluminio fundido compacto
- Rápido, preciso y repetible
- Eje leva doble extensión
- Perfil leva endurecido inducción CNC
- Movimientos leva indizados u oscilantes
- Se puede acompañar de reductor y dirección

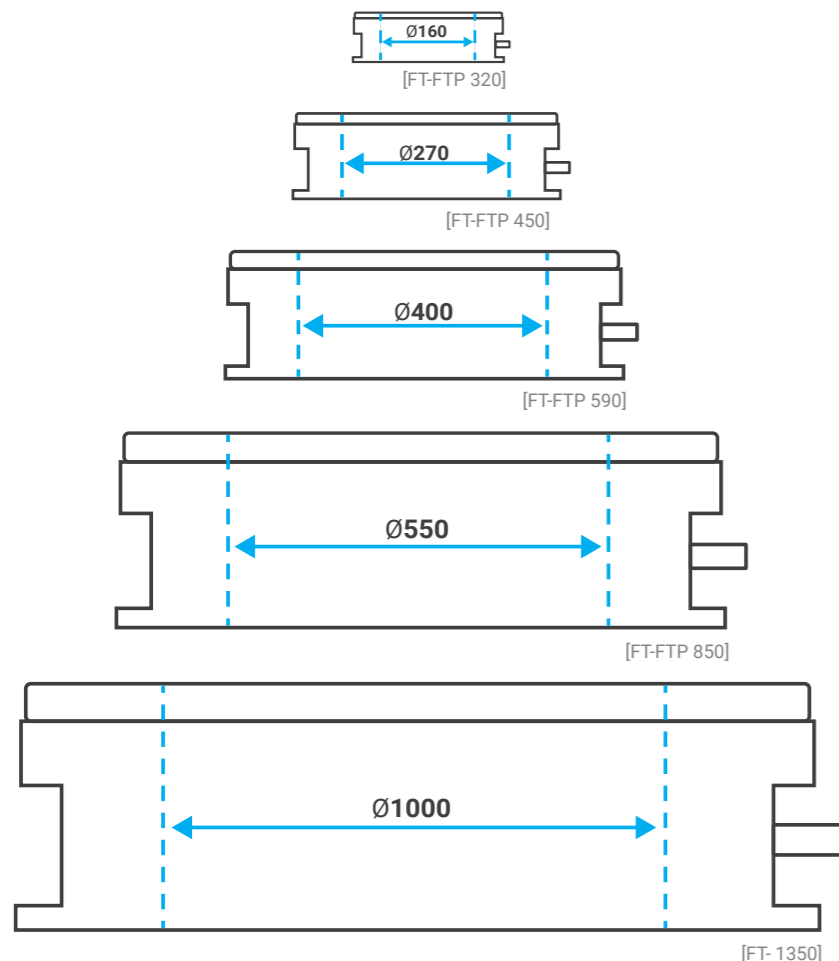
OPEN CENTER RING TABLES

FT Series

Sizes: 320-450-590-850-1350

Stops: from 6 to 36+

The FT series are a large open center ring style indexing & positioning tables designed for advanced industrial applications.



FEATURES

- Flexible positioning via servo motor or fixed station positions for indexing motion
- Large stationary center hole
- Smooth & controlled acceleration & deceleration, backlash free
- High accuracy, repeatability, flexibility and reliability
- Friction followers Technology & Induction hardened cam profile
- High rigidity which provides quiet & vibration free performance
- O-ring sealed for leak proof operation in any work position

CARATTERISTICHE TECNICHE

- Possibilità di posizionamenti fissi o variabili con servomotore
- Foro centrale di passaggio di generose dimensioni
- Accelerazioni e decelerazioni dolci ed esenti da gioco
- Elevate precisioni, flessibilità ed affidabilità
- Perni folli a strisciamento rigidi e performanti e profilo camma temprato a induzione a controllo numerico
- Funzionamento silenzioso ed esente da vibrazioni
- Sistema di guarnizioni appropriato per evitare perdite di lubrificante in tutte le posizioni di lavoro

MERKMALE

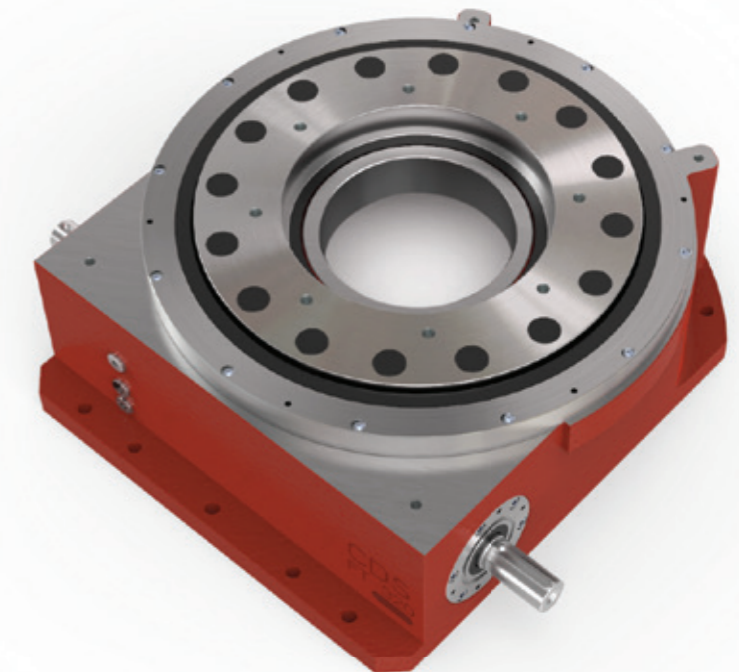
- Flexible Positionierung durch Servomotor oder feste Teilung für Schrittbewegung
- Große stationäre Mittenbohrung
- Sanfte, kontrollierte Beschleunigung und Verzögerung, spielfrei
- Hohe Genauigkeit, Wiederholbarkeit, Flexibilität und Zuverlässigkeit
- Solide Kurvenrollentechnologie und CNC induktiv gehärtete Kurvenprofile
- Hohe Steifigkeit, die eine ruhige und vibrationsfreie Laufleistung garantiert
- Für auslaufsichere Bedienung in jeder Arbeitsposition abgedichteter O-Ring

CARACTERISTIQUES

- Positionnement flexible grâce à un servomoteur ou à des positions de point fixes pour le mouvement d'indexage
- Grand trou central fixe
- Accélération et décélération contrôlées et sans à-coups, sans jeu
- Haute précision, répétabilité, flexibilité et fiabilité
- Technologie des poussoirs de came reconnue et profil de came durci par induction
- Rigidité élevée fournissant des performances et un fonctionnement sans vibration et silencieux
- Joint torique scellé pour un fonctionnement étanche quelle que soit la position de travail

CARACTERÍSTICAS

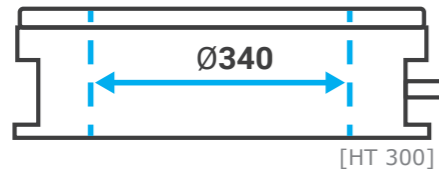
- Colocación flexible mediante servo motor o posiciones estación fija para movimiento indización
- Orificio centro estacionario grande
- Aceleración & deceleración suave & controlada, reacción libre
- Precisión elevada, repetibilidad, flexibilidad y fiabilidad
- Perfil leva endurecido seguidor leva sólido tecnología & inducción
- La elevada rigidez permite una prestación quieta y sin vibraciones
- Junta tórica sellada para operar sin pérdidas en cualquier posición



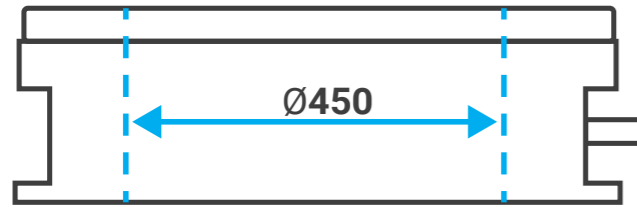
HT Series

Sizes: 300-365-545

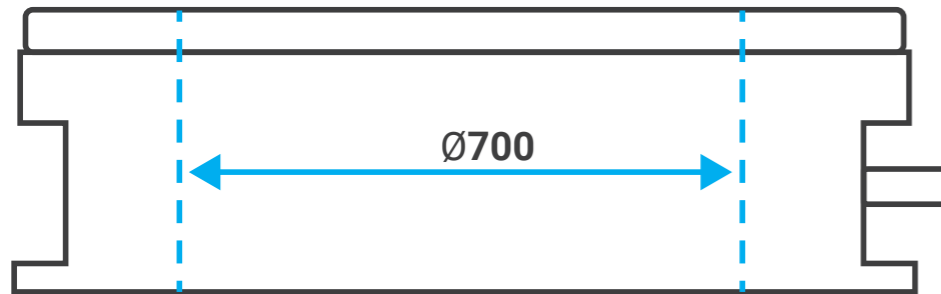
Stops: from 4 to 36+



[HT 300]



[HT 365]



[HT 545]

FEATURES

- Servo drive compatible for flexible positioning
- Crossed roller bearing support of output flange
- Large stationary through bore
- Friction Cam Follower Technology & Induction hardened cam profile
- Smooth & controlled rotary motions, backlash free
- High accuracy, repeatability, flexibility and reliability

CARATTERISTICHE TECNICHE

- Possibilità di funzionamento con servomotore e conseguenti possibilità di posizionamenti illimitati
- Cuscinetto di base a rulli incrociati
- Foro centrale passante di grandi dimensioni
- Perni folli a strisciamento rigidi e performanti e profilo camma temprato a induzione a controllo numerico
- Movimento dolce ed esente da giochi e vibrazioni
- Elevata precisione flessibilità ed affidabilità

MERKMALE

- Grenzenlos flexible Positionierung – kompatibel für Servomotoren
- Abtriebsflansch unterstützt durch überdimensioniertes Kreuzrollenlager
- Große stationäre Mittenbohrung
- Solide Kurvenrollentechnologie und CNC induktiv gehärtete Kurvenprofile

OPEN CENTER RING TABLES

The HT series are a large open center ring style indexing & positioning tables designed for heavy duty industrial applications.



- Sanfte und kontrollierte Bewegungsabläufe, spielfrei
- Hohe Genauigkeit, Wiederholbarkeit, Flexibilität und Zuverlässigkeit

CARACTERISTIQUES

- Compatible avec servo-commande – positionnement avec flexibilité illimitée
- Support de roulement à rouleaux croisés de la bride de sortie

- Grand trou de passage stationnaire
- Technologie des poussoirs de came reconnue et profil de came durci par induction
- Mouvements rotatifs contrôlés et sans à-coups, sans jeu
- Haute précision, répétabilité, flexibilité et fiabilité

CARACTERÍSTICAS

- Servo accionamiento compatible - ubicación flexible ilimitada
- Soporte rodamiento cruzado para brida salida
- Amplia estacionaria a través orificio sólido tecnología & inducción
- Movimientos rotatorios suaves & controlados, sin reacción
- Precisión elevada, repetibilidad, flexibilidad y fiabilidad

PACKAGES

Standard Index Table Packages for fast delivery requirements. All components are kept in stock and are readily available and provide the shortest delivery time in the market.



Cost effective



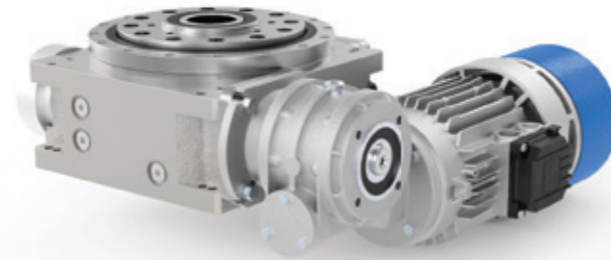
Fast delivery



Save engineering design time



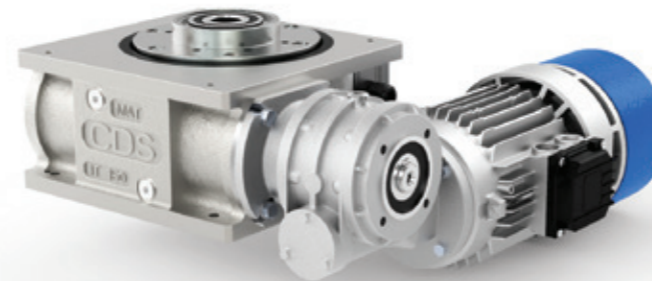
The **FTP** Series ring tables provide a large open center in a low profile and rigid design. Standard motor packages are readily available for all model sizes.



The **TRP** Series are designed for accurate and repeatable rotary indexing applications this heavy duty design provides a precision barrel cam set, solid cam follower technology and oversized cross roller bearing to support the output turret.



The **TRW** Series are industrial rotary indexing tables designed for extra heavy duty applications, particularly in automotive manufacturing processes. Driven by reliable SEW gearmotors.



The **ITP** Series cam indexing table packages are designed to meet customer requirements for quick delivery and provide all of the accuracy, quality and durability that CDS Indexing drives are known for.

CYCLOIDAL REDUCERS

The cycloid style reducers (also known as cycloid drives) cover a broader range of reduction ratios, possess higher load-carrying capacity, are dimensionally smaller and provide smooth, vibration free performance along with high efficiency.

These characteristics make them well suited for precision industrial applications, especially in robotics, machine tools and linear axis positioning in assembly & packaging machinery.

FEATURES

- Smooth & controlled rotary motions, backlash free
- Dynamic capacity: from 16 to 2700 Nm
- Output motion axis bearings
Max Axial Force: 19000 N
Radial force: 41000 N
Tilting: 2500 Nm
- Precision: ≤ 1 arcmin

CARATTERISTICHE TECNICHE

- Movimento dolce ed esente da giochi e vibrazioni
- Capacità Dinamica: da 16 a 2700 Nm
- Capacità Max Cux
Assiale (AX): 19000 N
Radiale (RAD): 41000 N
Ribaltante (RIB): 2500 Nm
- Precisione: ≤ 1 arcmin

MERKMALE

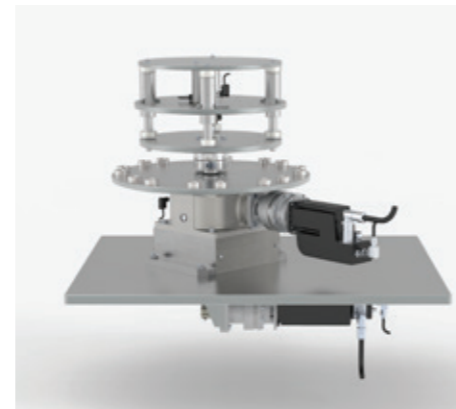
- Sanfte und kontrollierte Bewegungsabläufe, spielfrei
- Winkelindex Verhältnisse von 6:1 bis 72:1
- Cux Max.Leistung
Axial (AX) 19000 N
Radial (RAD) 41000 N
Kippvorrichtung (RIB) 2500 Nm
- Präzision: ≤ 1 arcmin

CARACTERISTIQUES

- Mouvements rotatifs contrôlés et sans à-coups, sans jeu
- Capacité Dinámica: de 16 a 2700 Nm
- Capacidad Máx Cux
Axial (AX): 19000 N
Radial (RAD): 41000 N
Vuelco (VOLC): 2500 Nm
- Precisión: ≤ 1 arcmin

CARACTERÍSTICAS

- Capacidad Dinámica : da 16 à 2700 Nm
- Capacité Max Cux :
Axial (AX) : 19000 N
Radial (RAD) : 41000 N
Basculement (RIB) : 2500 Nm
- Précision : ≤ 1 arcmin



CR Series

Size: 039 - 055 - 075 - 100 - 150

Stops: Freely programmable - servo drive

Index Angle: Ratio from 6:1 to 72:1



EL Series

Sizes: 60 - 125 - 200

Bowl Capacity: from 60 to 200+ Liters

Hopper Load Height: from 900 to 930 mm

Belt Width: from 183 to 398 mm

Feed Rate: 70 mm/sec



🇬🇧 FEATURES

- A stainless steel hopper with a window for a rapid unloading
- A stainless steel channel with cleaning door
- Non-scratch grey painted steel support frame with 4 wheels
- Proximity switch for automatic lock of the conveyor in case of open cover

🇮🇹 CARATTERISTICHE TECNICHE

- Tramoggia di contenimento eseguita in acciaio inox e corredata da sportello di scarico rapido
- Canale di scorrimento eseguito in acciaio inox e corredata da sportello di pulizia
- Struttura di supporto in acciaio verniciato grigio antigraffio corredata da quattro ruote di cui due piroettanti con blocco
- Micro per bloccaggio del nastro con coperchio aperto

🇩🇪 MERKMALE

- Füllschacht aus Edelstahl mit einer Klappe zur schnellen Entleerung
- Edelstahl-Kanal mit Reinigungsöffnung
- Kratzfestes, grau lackiertes Stahlgestell auf vier Rädern
- Magnetschalter für automatischer Halt der Fördervorrichtung bei offener Abdeckung

BELT ELEVATORS

The EL Series Part Elevators have been designed to improve the pre-feed flow of individual component parts presented for assembly and installation on automated machinery.

The hopper provides high loading performance. The absence of sharp edges ensures compliance with the requirements for operators' safety during loading operations.

🇫🇷 CARACTERISTIQUES

- Réservoir de confinement en acier inoxydable et accompagnée de la porte de déchargement rapide
- Voie de défilement en acier inoxydable et équipé avec porte de nettoyage
- Structure de support en acier peint gris anti-rayures avec quatre roues, donc deux pivotantes avec frein
- Micro pour blocage

🇪🇸 CARACTERÍSTICAS

- Tolva de contención realizada en acero inoxidable y equipada con compuerta de descarga rápida
- Canal de desplazamiento realizado en acero inoxidable y dotado de compuerta de limpieza
- Estructura de soporte en acero pintado gris antiarañazos con cuatro ruedas de las cuales dos son giratorias con bloqueo
- Micro por bloqueo de la cinta con tapa abierta



SECTORS

Our design and manufacturing systems have furnished competitive and strategic advantages to numerous industries in Pharmaceutical, Automotive, Manufacturing, Packaging and other sectors.



PACKAGING

- Box Filling Machine
- Wrapping Machines
- Cartoning Machines
- Capping Machines



WELDING

- Welding Positioner
- Synchronous Welding
- Robotic Welding
- Component Transfer



CASTING

- Auto Casting
- Investment Casting
- Component Transfer
- Molding



PRINTING

- Glass Printing
- Label Printing
- Card Printing



PHARMA

- Filling Machines
- Blister Pack Machines
- Tableting Machines
- Packaging Machines



AUTOMOTIVE

- Pallet Transfer Tables
- Assembly Machines
- Painting Applications
- Test Rigs



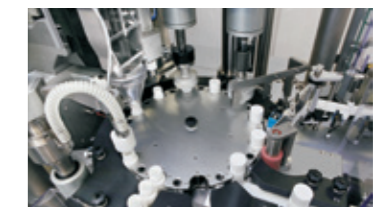
MACHINING INDUSTRY

- Deburring Machines
- Lapping Machines
- Pressing Machines
- Component Transfer



SPM & ROBOTICS

- Transfer Lines
- Station Loading
- Sequential Operation



COSMETICS

- Assembly Machines
- Filling Machines
- Cartoning Machines

10 REASONS WHY CDS IS THE BEST CHOICE

Cam Driven Systems is backed by over sixty years of engineering and manufacturing leadership and offers the most diverse range of products in the industry.

Our continual investments in new technologies ensure that we will continue to deliver the precision and reliability needed to drive today's most advanced manufacturing systems.



Easy to install



High Speed



Zero Maintenance



High Accuracy



Lubed for life



Customizable



Wide Range of products



Extended Warranty



Fast Delivery



Zero Backlash



OUR PRESENCE



CDS Cam Driven Systems

Via Leonardo da Vinci 56, 26010 Bagnolo Cremasco (CR) - Italy
Phone +39 0373 237311 - Fax +39 0373 237 538
cds@bettinelli.it - www.cdsindexers.com

GATE Technologies Inc

27 Wilson Drive, Unit C Sparta NJ 07871 - Usa
Phone +1 973 300 0090 - Fax +1 973 300 0061
info@gateti.com - www.gateti.com

GATE Deutschland GmbH

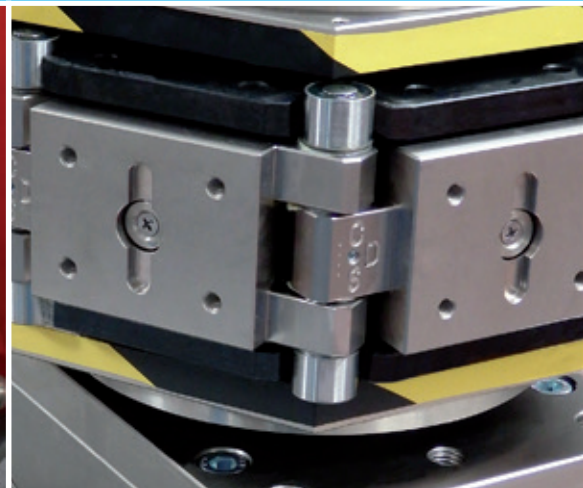
Ulrichstrasse 9, 86641 Rain am Lech - Germany
Phone +49 (0) 9090 7057110 - Fax +49 (0) 9090 70571113
info@gatedeutschland.de - www.gatedeutschland.de

GATE (Ying Meng) Shanghai Trading CO Ltd

Unit 1226A, 12F, ChongHing Finance Center
288 Nanjing West Road, HuangPu District, 200003 Shanghai, China
Phone +86 138 1665 0842 - Fax +86 21 6133 7999
info@gateshanghai.cn - www.cdsindexers.com

Bettinelli Automation Components Pvt. Ltd.

Office #3, 1st Floor - Destination Center
Magarpatta City Hadapsar, Pune 411-013 - India
Phone +91 20 6723 6484 - Fax +91 20 6723 6485
info@bettinelli.in - www.bettinelli.in



B003/6 - 11/2021



Download our digital brochure